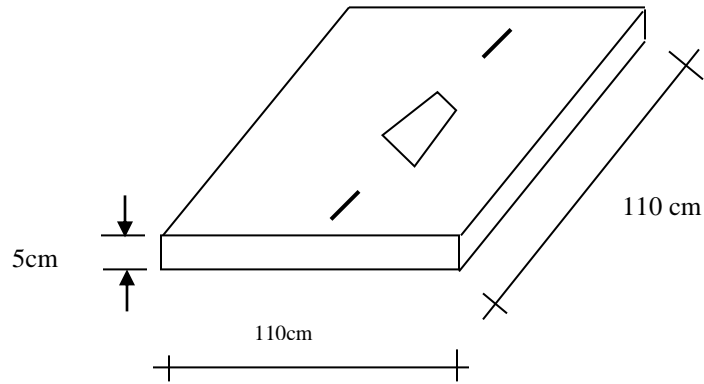
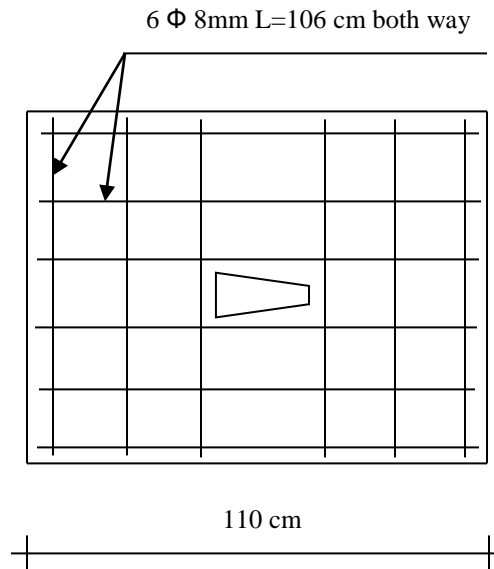


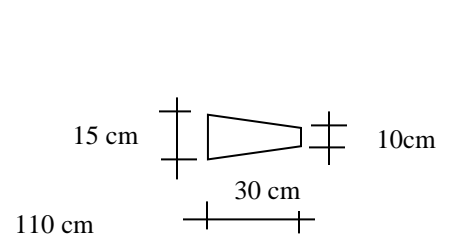
# Latrine Design RCC slab



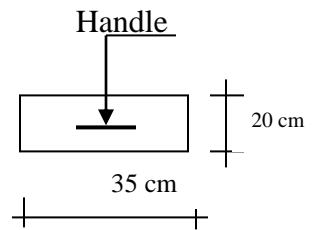
**RCC Slab**  
Not Scale



**Steel bar arrangement plan**

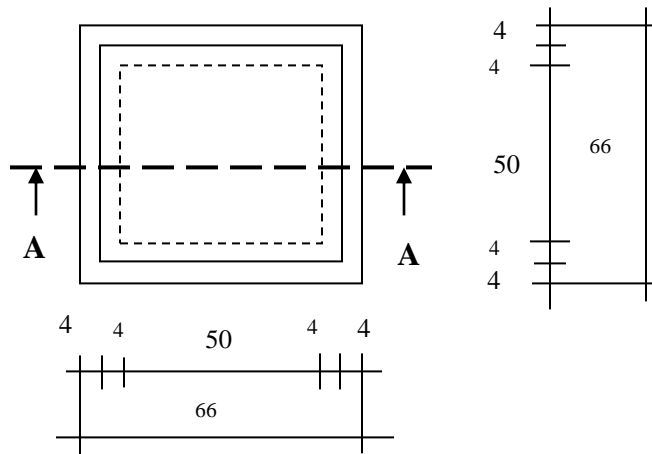


**Defecation hole**



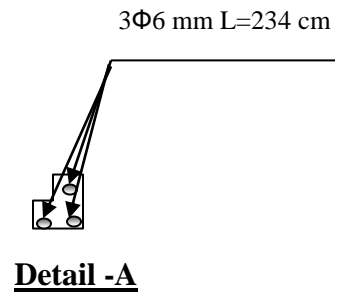
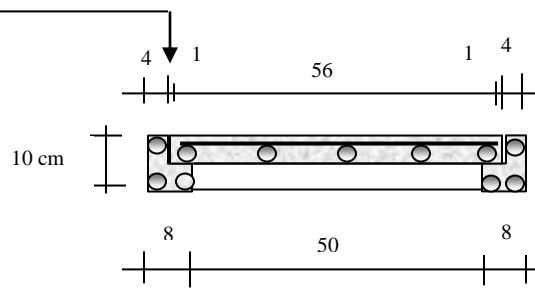
**Defecation whole cover (from wood)**





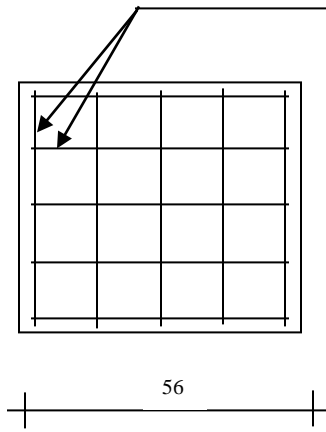
**Plan of Slab**

Gap between RCC slab and RCC Frame 1 cm

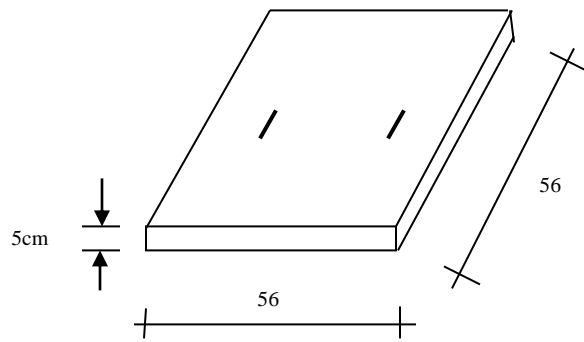


**Detail -A**

5Φ 6 @ 13cm c/c L=52cm both way



**Section A- A**  
Not Scale



**RCC Slab**  
Not Scale

**Steel bar arrangement plan**

**Note:**

- 1-All dimension are in cm
- 2-RCC Slab (1:2:4)