

Date: 2019

OK

2

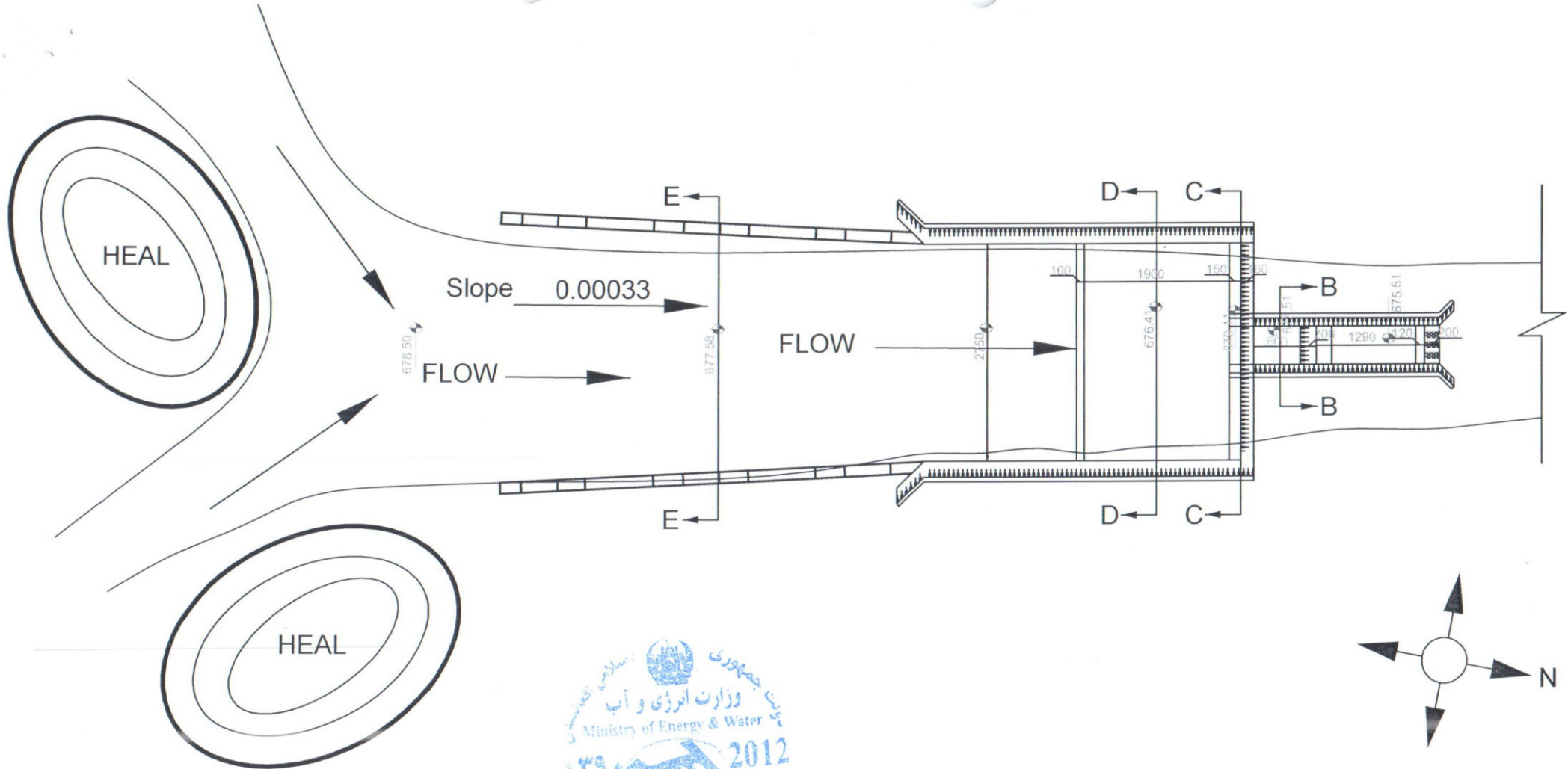
Sub Project Name:

Sayduzdi Check Dam

Sayduzdi Village

Saripul Sub River Basin





# Site Plane



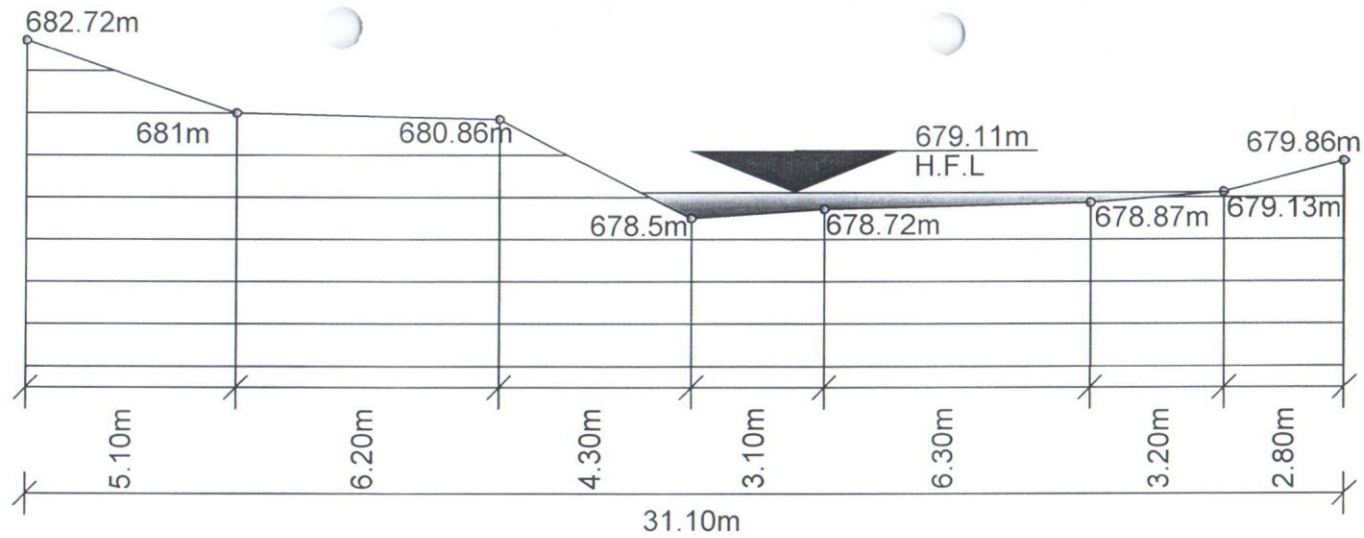
JOBS	NAME	POSITION	SIGNED
DRAWING BY	Sayeed Wahid Ahmad	MANAGER OF PLANS & ENGINEERING SERVICES	
SURVEY BY			
DESIGNED BY			
CHECKED BY	ENG. NAJIBULLAH "HAYAT"	HEAD OF PLANS & ENGINEERING SERVICES	
APPROVED BY	ENG. SAYEED ROHULLAH "SHAHAB"	DIRECTOR OF SARI PUL SUB RIVER BASIN	

All dimension is in Centimeter

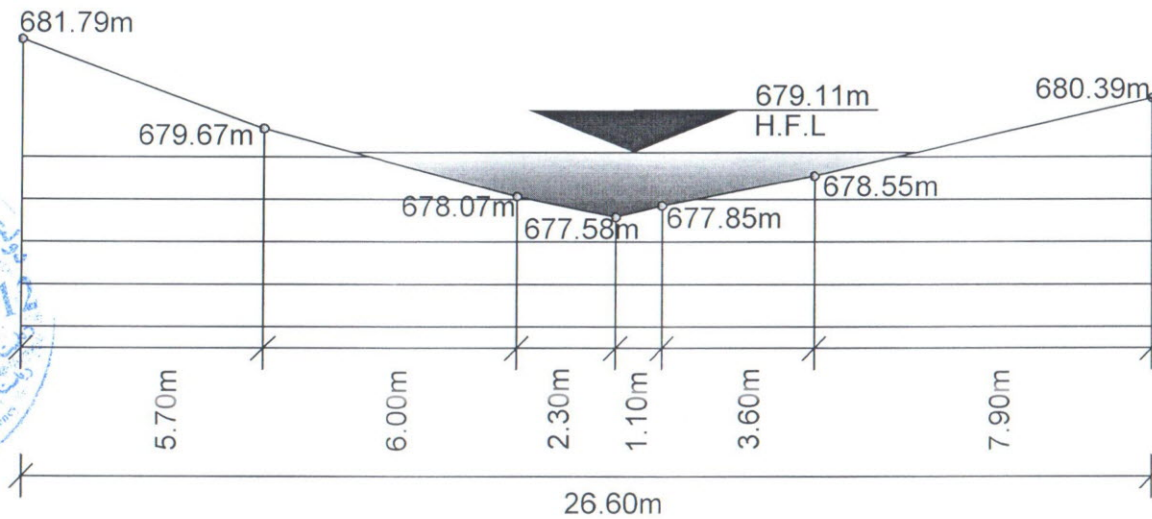
SARI PUL SUB RIVER BASIN

PROJECT NAME:	SAYDUZDI CHECKDAM
TYPE OF PROJECT:	MASS CONCRETE RETAINING WALL
LOCATION:	SAYDUZDI VILLAGE CENTER OF SARI PUL PROVINCE
NUMBER OF PAGES:	01

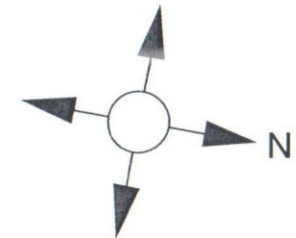
**ISLAMIC REPUBLIC OF AFGHANISTAN**  
**MINISTRY OF ENERGY AND WATER**  
**NORTHERN RIVER BASIN**  
**SARI PUL SUB BASIN**



**Cs1**



**Cs2**



JOBS	NAME	POSITION	SIGNED
DRAWING BY	Sayed Wahid Ahmad	MANAGER OF PLANS & ENGINEERING SERVICES	
SURVEY BY			
DESIGNED BY			
CHECKED BY	ENG. NAJIBULLAH "HAYAT"	HEAD OF PLANS & ENGINEERING SERVICES	
APPROVED BY	ENG. SAYEED ROHULLAH "SHAHAB"	DIRECTOR OF SARI PUL SUB RIVER BASIN	

All dimension is in Centimeter

SARI PUL SUB RIVER BASIN

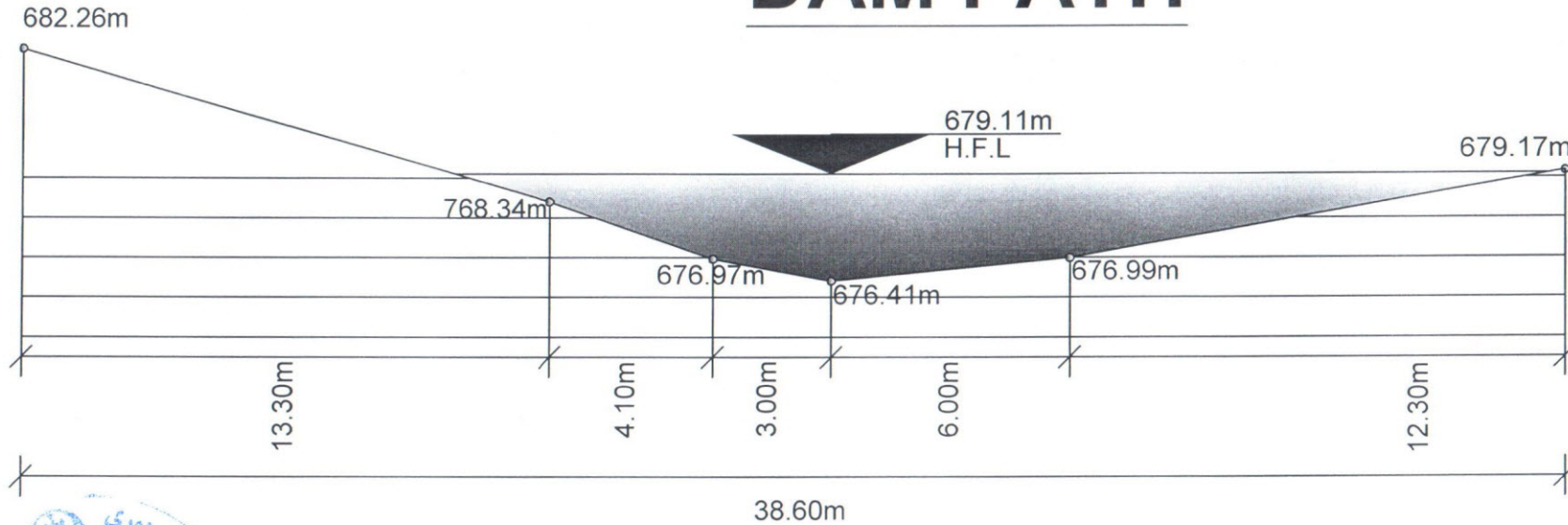
PROJECT NAME:	SAYDUZDI CHECKDAM
TYPE OF PROJECT:	MASS CONCRETE RETAINING WALL
LOCATION:	SAYDUZDI VILLAGE CENTER OF SARI PUL PROVINCE
NUMBER OF PAGES:	02



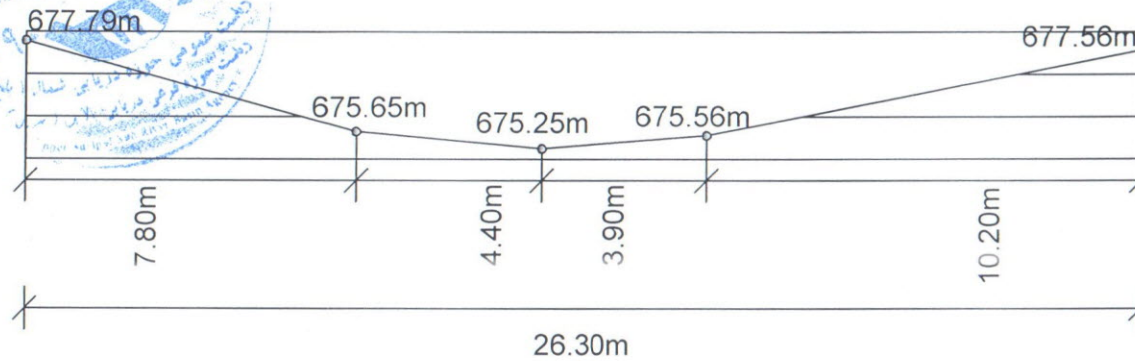
ISLAMIC REPUBLIC OF AFGHANISTAN  
MINISTRY OF ENERGY AND WATER  
NORTHERN RIVER BASIN  
SARI PUL SUB BASIN



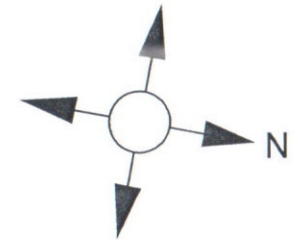
# DAM PATH



**Cs3**



**Cs4**



JOBS	NAME	POSITION	SIGNED
DRAWING BY	Sayed Wahid Ahmad	MANAGER OF PLANS & ENGINEERING SERVICES	
SURVEY BY			
DESIGNED BY			
CHECKED BY	ENG. NAJIBULLAH "HAYAT"	HEAD OF PLANS & ENGINEERING SERVICES	
APPROVED BY	ENG. SAYEED ROHULLAH "SHAHAB"	DIRECTOR OF SARI PUL SUB RIVER BASIN	

All dimension is in Centimeter

SARI PUL SUB RIVER BASIN

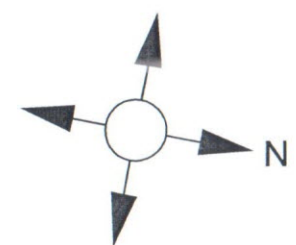
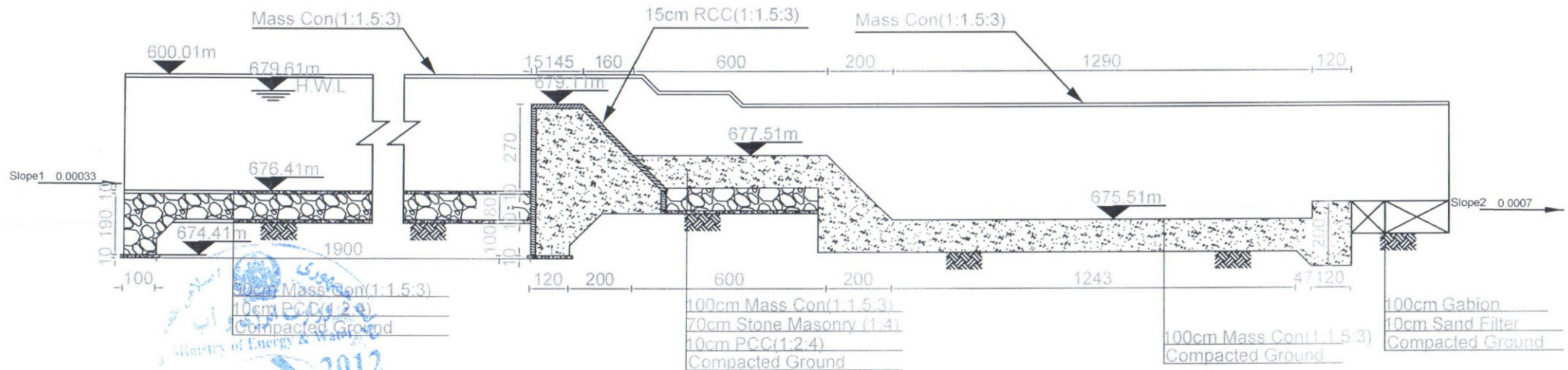
PROJECT NAME:	SAYDUZDI CHECKDAM
TYPE OF PROJECT:	MASS CONCRETE RETAINING WALL
LOCATION:	SAYDUZDI VILLAGE CENTER OF SARI PUL PROVINCE
NUMBER OF PAGES:	03



ISLAMIC REPUBLIC OF AFGHANISTAN  
MINISTRY OF ENERGY AND WATER  
NORTHERN RIVER BASIN  
SARIPUL SUB BASIN



# Sec A-A

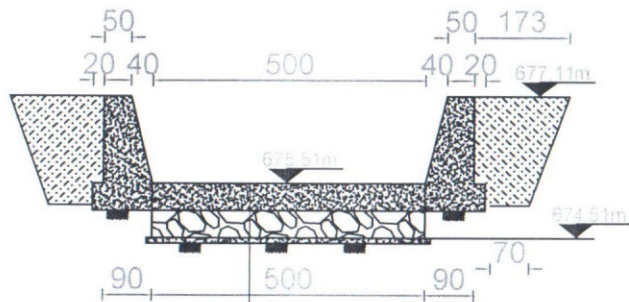
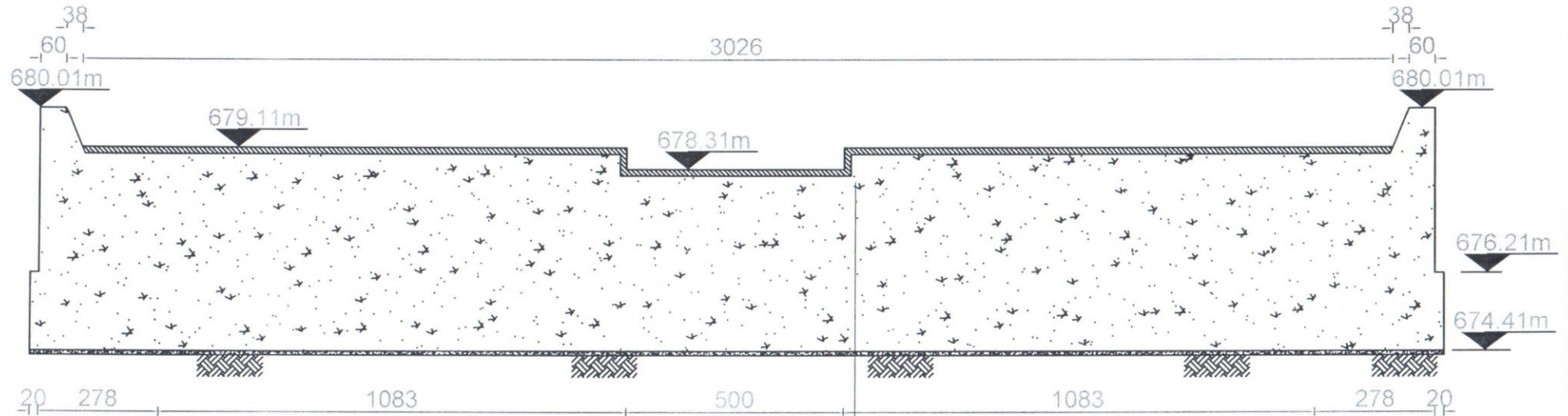


JOBS	NAME	POSITION	SIGNED
DRAWING BY	Sayed Wahid Ahmad	MANAGER OF PLANS & ENGINEERING SERVICES	
SURVEY BY			
DESIGNED BY			
CHECKED BY	ENG. NAJIBULLAH "HAYAT"	HEAD OF PLANS & ENGINEERING SERVICES	
APPROVED BY	ENG. SAYEED ROHULLAH "SHAHAB"	DIRECTOR OF SARI PUL SUB RIVER BASIN	

**ISLAMIC REPUBLIC OF AFGHANISTAN**  
**MINISTRY OF ENERGY AND WATER**  
**NORTHERN RIVER BASIN**  
**SARI PUL SUB BASIN**

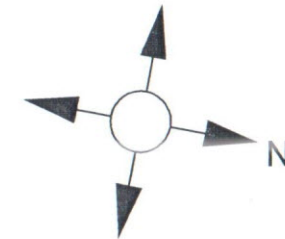
All dimension is in Centimeter	
SARI PUL SUB RIVER BASIN	
PROJECT NAME:	SAYDUZDI CHECKDAM
TYPE OF PROJECT:	MASS CONCRETE RETAINING WALL
LOCATION:	SAYDUZDI VILLAGE CENTER OF SARI PUL PROVINCE
NUMBER OF PAGES:	04

# Sec C-C



15cm R.C.C (1:1.5:3)  
 130cm Mass Con(1:1.5:3)  
 10cm P.C.C (1:2:4)  
 Compacted Ground

50cm Mass Con(1:1.5:3)  
 50cm Stone masonry (1:4)  
 10cm P.C.C (1:2:4)  
 Compacted Ground



## Sec B-B



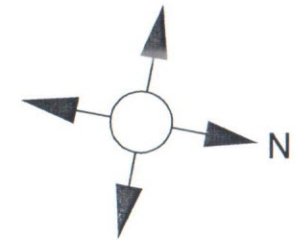
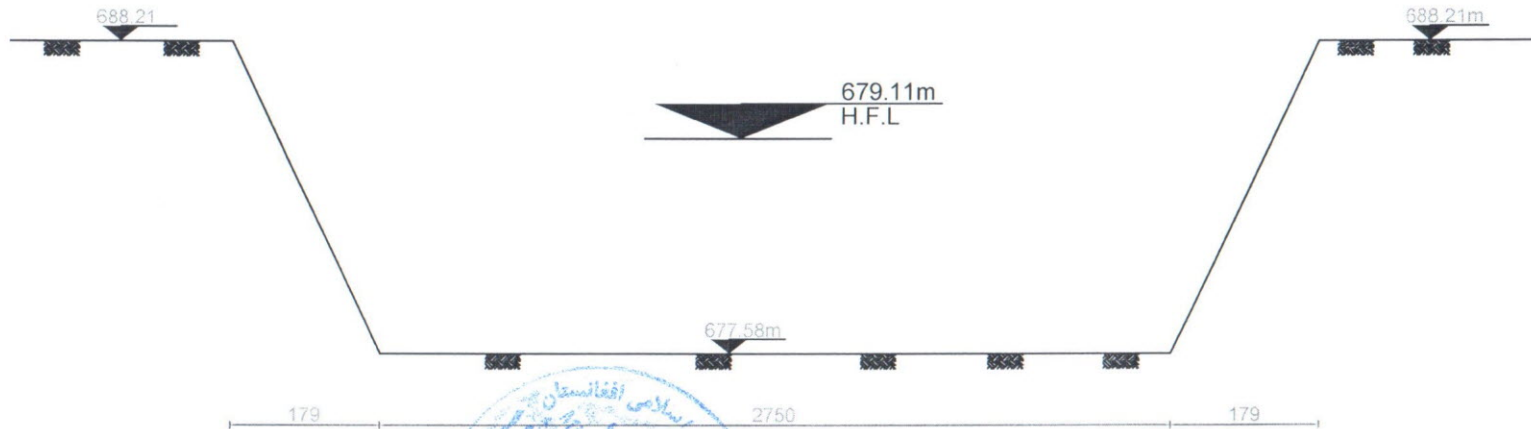
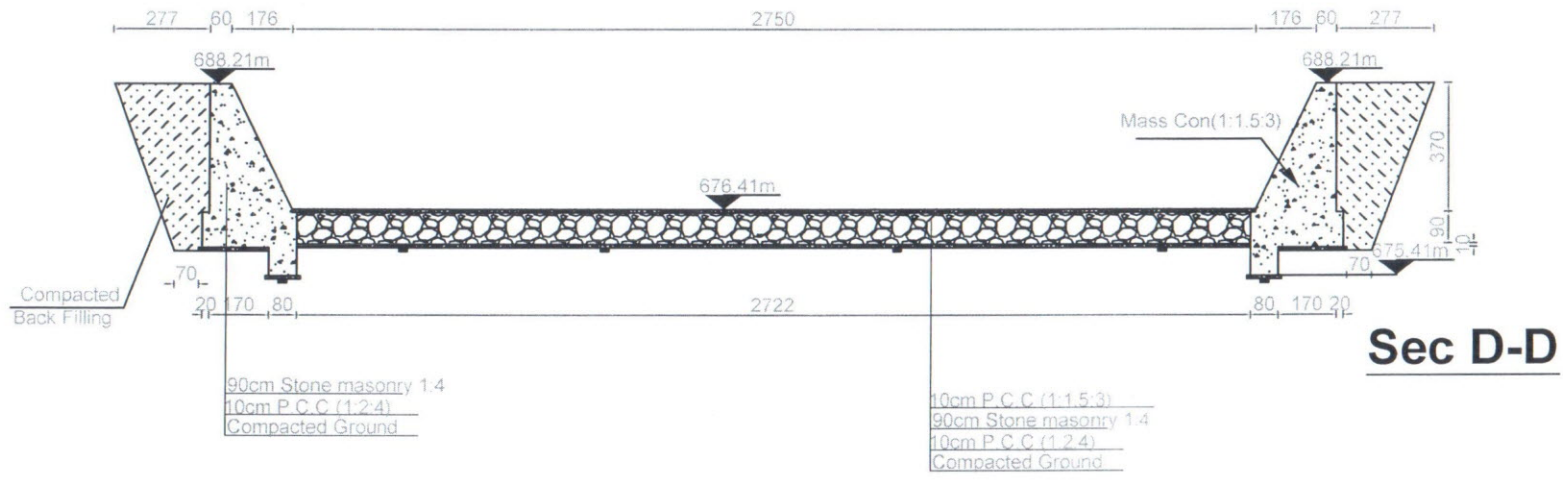
All dimension is in Centimeter

JOBS	NAME	POSITION	SIGNED
DRAWING BY			
SURVEY BY	Sayed Wahid Ahmad	MANAGER OF PLANS & ENGINEERING SERVICES	
DESIGNED BY			
CHECKED BY	ENG. NAJIBULLAH "HAYAT"	HEAD OF PLANS & ENGINEERING SERVICES	
APPROVED BY	ENG. SAYEED ROHULLAH "SHAHAB"	DIRECTOR OF SARI PUL SUB RIVER BASIN	
PROJECT NAME:		SAYDUZDI CHECKDAM	
TYPE OF PROJECT:		MASS CONCRETE RETAINING WALL	
LOCATION:		SAYDUZDI VILLAGE CENTER OF SARI PUL PROVINCE	
NUMBER OF PAGES:		05	



ISLAMIC REPUBLIC OF AFGHANISTAN  
 MINISTRY OF ENERGY AND WATER  
 NORTHERN RIVER BASIN  
 SARI PUL SUB BASIN





JOB	NAME	POSITION	SIGNED
DRAWING BY	Sayed Wahid Ahmad	MANAGER OF PLANS & ENGINEERING SERVICES	
SURVEY BY			
DESIGNED BY			
CHECKED BY	ENG. NAJIBULLAH "HAYAT"	HEAD OF PLANS & ENGINEERING SERVICES	
APPROVED BY	ENG. SAYEED ROHULLAH "SHAHAB"	DIRECTOR OF SARI PUL SUB RIVER BASIN	

All dimension is in Centimeter

SARI PUL SUB RIVER BASIN

PROJECT NAME: SAYDUZDI CHECKDAM

TYPE OF PROJECT: MASS CONCRETE RETAINING WALL

LOCATION: SAYDUZDI VILLAGE CENTER OF SARI PUL PROVINCE

NUMBER OF PAGES: 06



ISLAMIC REPUBLIC OF AFGHANISTAN  
MINISTRY OF ENERGY AND WATER  
NORTHERN RIVER BASIN  
SARI PUL SUB BASIN



The essential equipment to be made available for the Contract of **Sayduzdi Check Dam** by the successful Bidder shall be:

S/N	Type of Equipment's	Required Number
1	GCB (Small Excavator)	1
2	Jack Hammer Excavator For Hard Excavation (Rock)	0
3	Double Drum Vibratory Rollers Compactor	1
4	Water Tanker (about 15,000 liter capacity)	2
5	Tractor with Blade	0
6	Dump Truck (about 10 Cub capacity)	5
7	Reversible Plate Compactors	2
8	Vibrator	2
9	Concrete Mixer	3
10	Generator 10Kw	2
11	Water Pump with 1000 m pipe (Capacity 20 Lps)	2
12	Total station	1
13	Auto Level Machine	1
14	Measuring Tape	3

Bidders are allowed to propose different equipment with sufficient information to establish that their capacity is equivalent or more that the above.

Note: Costly equipment's (e.g. 1, 4 and 5) may be deployed on "As and When required" basis.

Qualifications and experience of key personnel proposed for administration and execution of the Contract. *[Attach biographical data. شایستگی و تجارب پرسونل کلیدی پیشنهاد شده قراردی برای اداره و انجام کارها.]*

Position موقف	Qty	Years of experience (general)* سال های تجارب (بشکل عموم)	Years of experience in proposed position* سالهای تجربه کاری برای رشته پیشنهاد شده
(a) Project/Contract Manager (One)	1	5	3
(b) Irrigation cum Survey Engineer (One)	1	5	3
(c) Site Engineer cum Safety supervisor (1) - one per site	1	5	3
(d) Safety Engineer	1	4	3
(e) Geo Technical Engineer	1	4	4
(f) Q/C Engineer	1	5	3

Please attach CV and university Certificate of the above persons





فارمت برای خانه پری چکدم ساسی دزدی ریاست حوزه فرعی دریایی (سرپل بلایی)

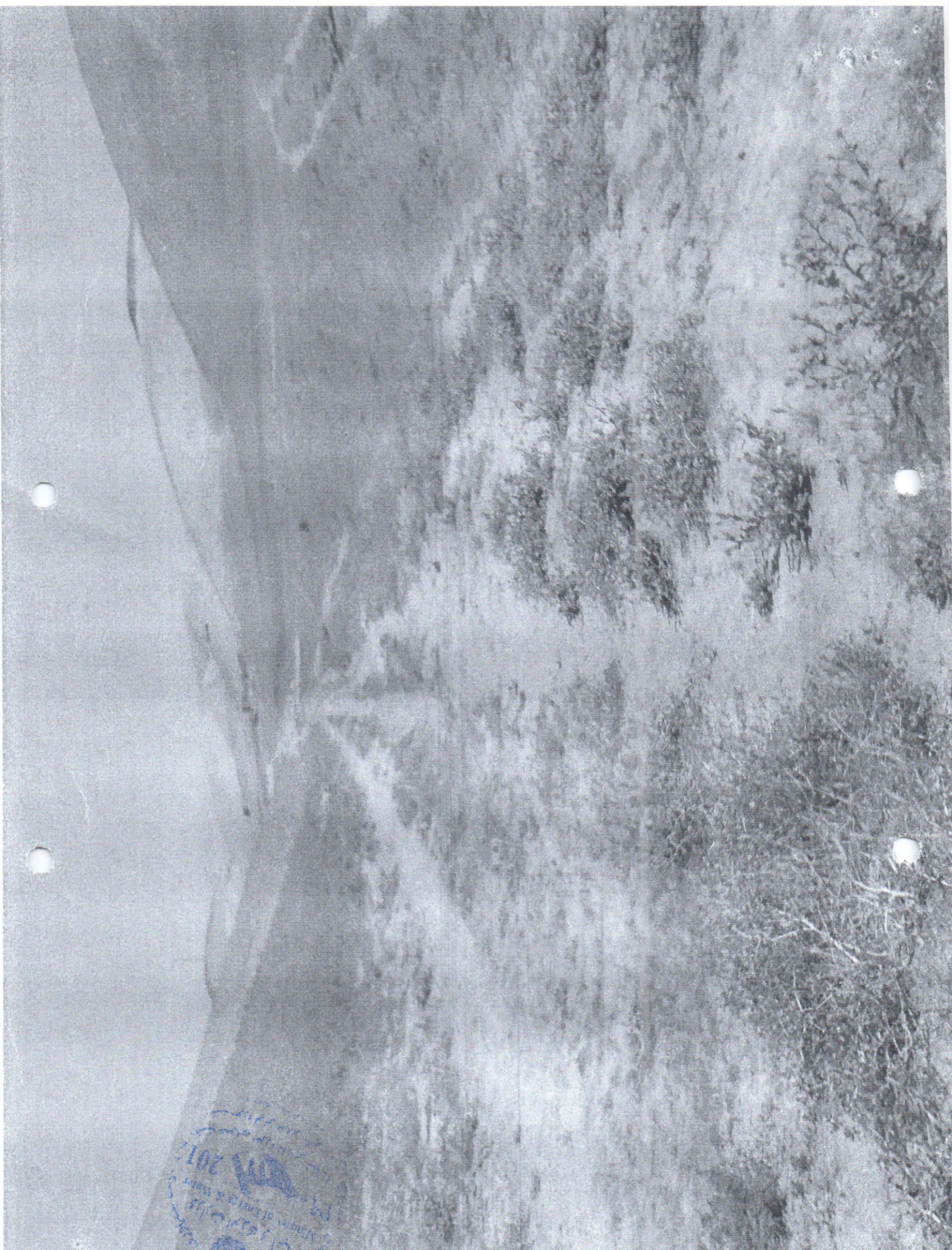
ملاحظات	اولویت بندی پروژه			
	سوم	دوم	اول	
	تعداد مستفید شونده گان آب	1050		
	قیمت پروژه تحت پلان تخمین به افغانی	11514710		
مساحت تحت آبیاری به هکتار				
بهبود وضع آبیاری	45			
بعداز پروژه	195			
قیل از پروژه	150			
طول کانال به km	0.07			
جریان اعظمی کانال m <sup>3</sup> /sec	0			
مقدار جریان اعظمی دریا m <sup>3</sup> /sec	218.5			
عرض البلد	36°11'15"			
طول البلد	65°56'06"			
ارتفاع از سطح بحر	678			
منبع تغذیه	آب باران			
تعداد میراب باشی ها	1			
امنیت منطقه	خوب			
نوع ساختمان مورد ضرورت	مس کانکریت			
موقعیت				
قریه	سای دزدی			
ولسوالی	مرکز			
ولایت	سرپل			
اسم پروژه	چکدم سای دزدی			
شماره	2			



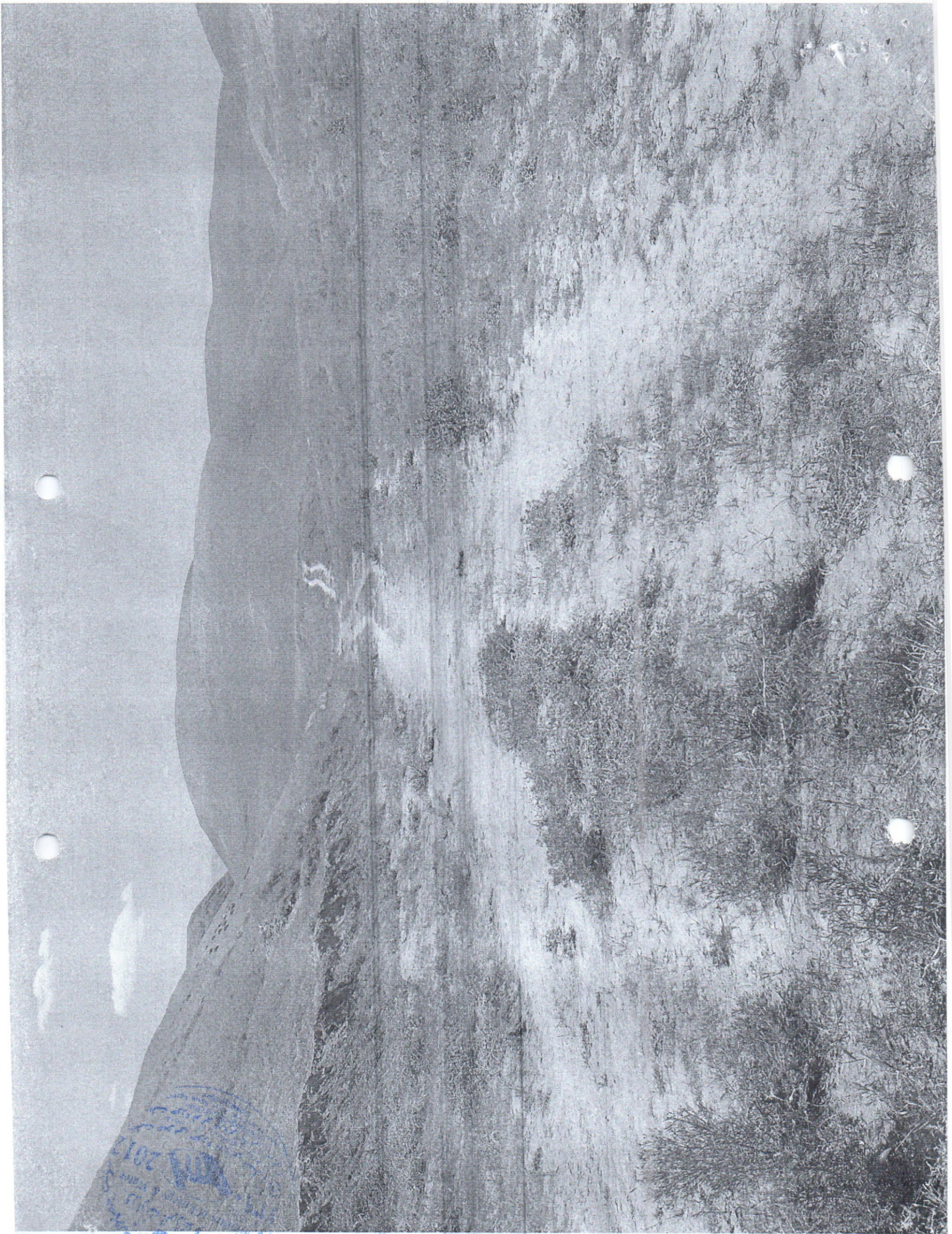
تأیید: ریاست حوزه فرعی دریایی سرپل

تأیید کننده: *[Signature]*

تأیید: رئیس عمومی حوزه دریایی شمال



2017  
State of Texas  
Department of Transportation  
Texas Department of Transportation  
2017



Handwritten blue ink notes and stamps, including a circular stamp with a globe and the year 2017.

Handwritten blue ink notes and stamps, including a circular stamp with a globe and the year 2017.

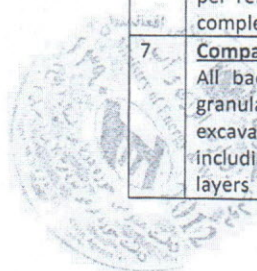
منظوری و تائیدی ادارات زیربط

شماره	مشخصات	اسم	وظیفه	امضاء
1	سروی کننده	سیدوحید احمد امیر حسین	مدیر برنامه ها انجنیر تاسیسات	
2	دیزاین کننده	سیدوحید احمد	مدیر برنامه ها	
3	تائید ریاست حوزه فرعی دریایی	سیدروح الله (شهاب)	رئیس حوزه دریایی	
4	تائید ریاست عمومی حوزه دریایی شمال			
5	تائید متیرام و الزامات			
6	منظوری مقام وزارت			



**SUMMARY BOQ OF Sayduzdi Check Dam (Check Dam Template Structure)**

No	Item bill of quantity	Quantity	Unite	Unit Rate (Af)	Total Cost (Af)
1	Site Stripping, Cleaning and Grubbing : 15cm thick site stripping / clearance to layout the work before actual excavation which includes clearing of all herbs and shrubs, boulders as per the dimension of the structure	1	LS		
2	<b>Ordinary Soil Excavation:</b> Excavation in ordinary soil (in canal /river bed etc.) and disposal of surplus material up to a maximum distance of 500m or as directed by site engineer.	3500	M <sup>3</sup>		
3	<b>Air-Entrained Mass concrete(M200):</b> Supplying , Placing adding boulders , compacting and curing Air- entrained Mass concrete with 4.5 % to 7% of aired Vellums by adding approved admixtures, including formworks as per relevant drawing, specification and to the complete satisfaction of the site engineer.(%age of boulders in the mass concrete should not be more than 40% of total volume, also the size of the boulders should not be neither more than 1/5 <sup>th</sup> the literal dimension of the structure element , nor 20 cm , whichever is less).	1507.1	M <sup>3</sup>		
4	<b>Plaint Cement concrete(pcc) (M200):</b> Supplying , Placing , compacting and curing Air-entrained PCC M-20 with 4.5 % to 7% of aired Vellums by adding approved admixtures, as per relevant drawing, specification and to the complete satisfaction of the site engineer	114	M <sup>3</sup>		
5	<b>Joint preparation at each 15m:</b> Construction of expansion joint at every 15 m with 20 cm wide PVC water stop and cork filing including all materials and labors all as per relevant drawing, specification and complete satisfaction of site engineer.	40	M		
6	<b>Air-Entrained Reinforced Cement concrete (M250):</b> Supplying , Placing , compacting and curing Air-entrained RCC M-25 with 4.5 % to 7% of aired Vellums by adding approved admixtures including Steel Reinforcement framework , as per relevant drawing, specification and to the complete satisfaction of the site engineer.	44	M <sup>3</sup>		
7	<b>Compacted back filing:</b> All backfilling materials shall be will graded granular materials from selected materials of excavation or approved source of borrow pits including compaction to 95% modified proctor in layers of not more than 15 cm thickness in	1350	M <sup>3</sup>		



**SUMMARY BOQ OF Sayduzdi Check Dam (Check Dam Template Structure)**

	accordance to the relevant drawing and specification and satisfaction of the site engineer.				
8	<b>Gabion basket (1x1x1m) :</b> Provide, install and fill the gabion basket (1x1x1) m with stone in place, having mesh size not more than (80x100) mm as per relevant drawing, specification and complete satisfaction of the site engineer. (2.7 to 3) mm galvanized mild steel wire should be used for the mesh with zinc quantity not less than 260 gr/m <sup>2</sup> and (3.4 to 4) mm galvanized mild steel wire with zinc quantity of not less than 275 gr /m <sup>2</sup> for the frame. The gabion boxes shall be fabricated 'Maccaferri' type or equivalent supplied by an approved manufacturer. The cage shall be constructed with 2.2 mm dia. Galvanized mild steel wire.	15	M <sup>3</sup>		
9	<b>Graded Gravel Filter:</b> supplying , placing and compacting granular filter materials under gabion basket as per relevant drawing as specification .	3	M <sup>3</sup>		
10	<b>Stone Masonry 1:4</b> Providing and laying random rubble and coursed stone masonry with cement sand mortar 1:4 as per relevant, Specifications and to the complete satisfaction of the site engineer.	494	M <sup>3</sup>		
11	<b>Wipe holes 3":</b> providing and installing pvc wipehole with per relevant, Specifications and to the complete satisfaction of the site engineer.	55	M		
12	<b>Stone Sign board:</b> Preparing and installation of stone signboard specification and complete satisfaction of the site engineer.	1	LS		
<b>Total</b>					

تصدیق کننده : رئیس حوزه فرعی دریائی سرپل

ترتیب کننده: انجنیر وحید (هاشمی)



تایید : رئیس عمومی حوزه دریائی سرپل

Title Work plan for SayDuzdi checkdam

Title Work plan for SayDuzdi checkdam				موضوع : جدول پلان کاری برای اعمار پروژه چکم ساتی دزدی سال 1398																																											
Item Descriptions		Unit	Quantity	months																																											
				ماه اول				ماه دوم				ماه سوم				ماه چهارم				ماه پنجم				ماه ششم				ماه هفتم				ماه هشتم				ماه نهم				ماه دهم				ماه یازدهم			
شماره	فعالیت ها	واحد	مقدار	W1	W2	W3	W4	W1	W2	W3	W4	W1	W2	W3	W4	W1	W2	W3	W4	W1	W2	W3	W4	W1	W2	W3	W4	W1	W2	W3	W4	W1	W2	W3	W4	W1	W2	W3	W4	W1	W2	W3	W4				
1	آماده سازی ساحه برای کار پروژه	LS	1	■	■																																										
2	کندنکاری خاک عادی	M3	3500	■	■	■	■	■	■	■	■	■	■	■	■	■	■	■	■	■	■	■	■	■	■	■	■	■	■	■	■	■	■	■	■	■	■	■	■	■	■	■	■				
3	مس کانتکریت مارک 200 یا 40%سنگ	M3	1507.1			■	■	■	■	■	■	■	■	■	■	■	■	■	■	■	■	■	■	■	■	■	■	■	■	■	■	■	■	■	■	■	■	■	■	■	■	■	■				
4	کانتکریت بتون سیخ (PCC)	M3	114																																												
5	جاینت هادر هر 15الی 20 متر	M	40																																												
6	اهنگکانتگریت سیخدار (RCC)	M3	44																																												
7	پرکاری عقب دیوار	M3	1350																																												
8	نصب گبیون باکس	M3	15																																												
9	جفل دانه بندی شده	M3	3																																												
10	سنگ کاری فرش بند	M3	494																																												
11	نصب نل های (PVC)	M	55																																												
12	نصب لوحه سنگی	LS	1																																												

Prepared by: Sayed Wahid Ahmad

