

Road Crossing

Villages Center

15 m³ STG T

Water Pipe Line

0 50 100 200 500 1000

Proposed Land for Solar House

Stand Tap

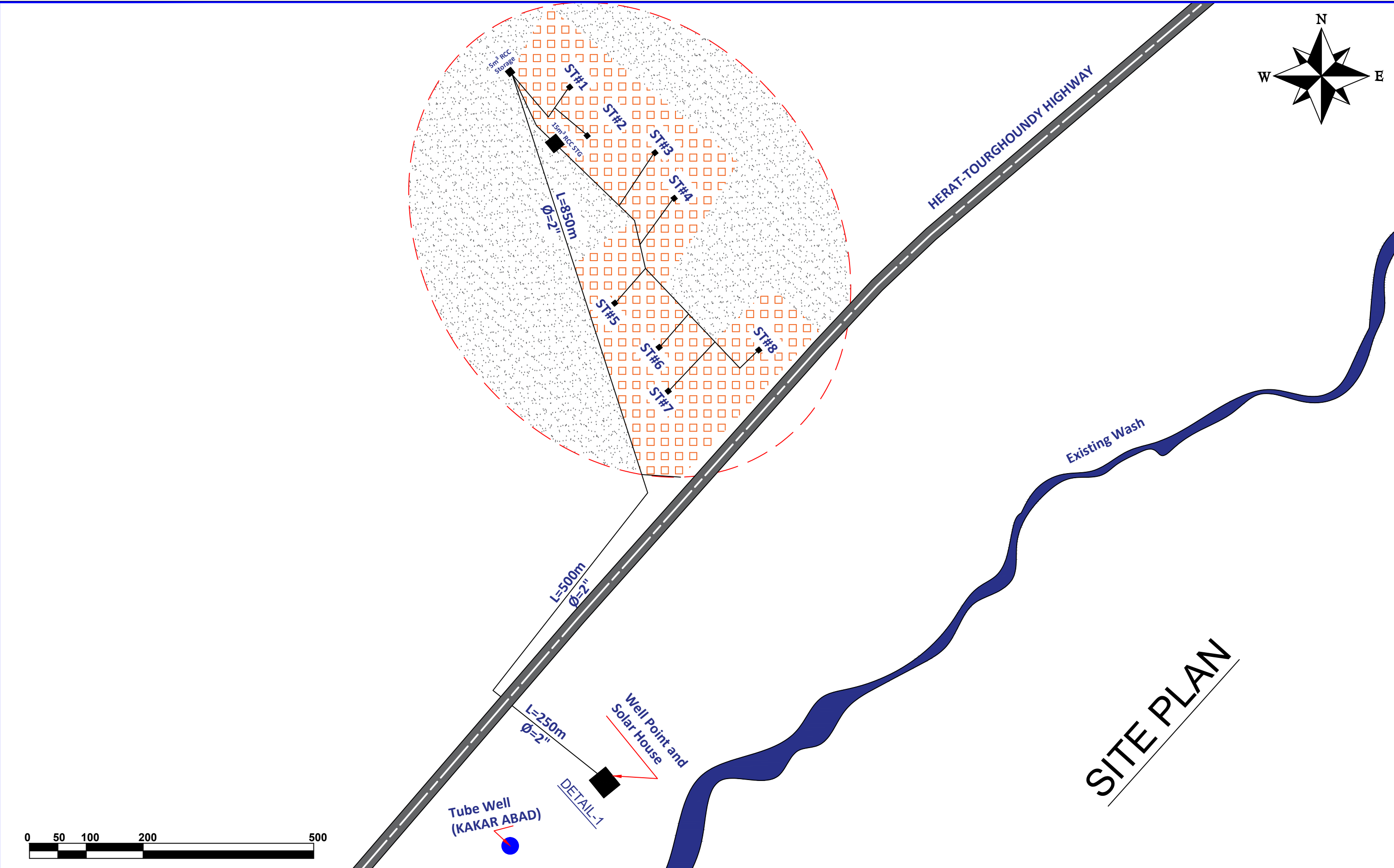
5 m³ STG T

Boundary Line

Graphical Scale, 1:1 (m)

Kakar Abad Tube Well

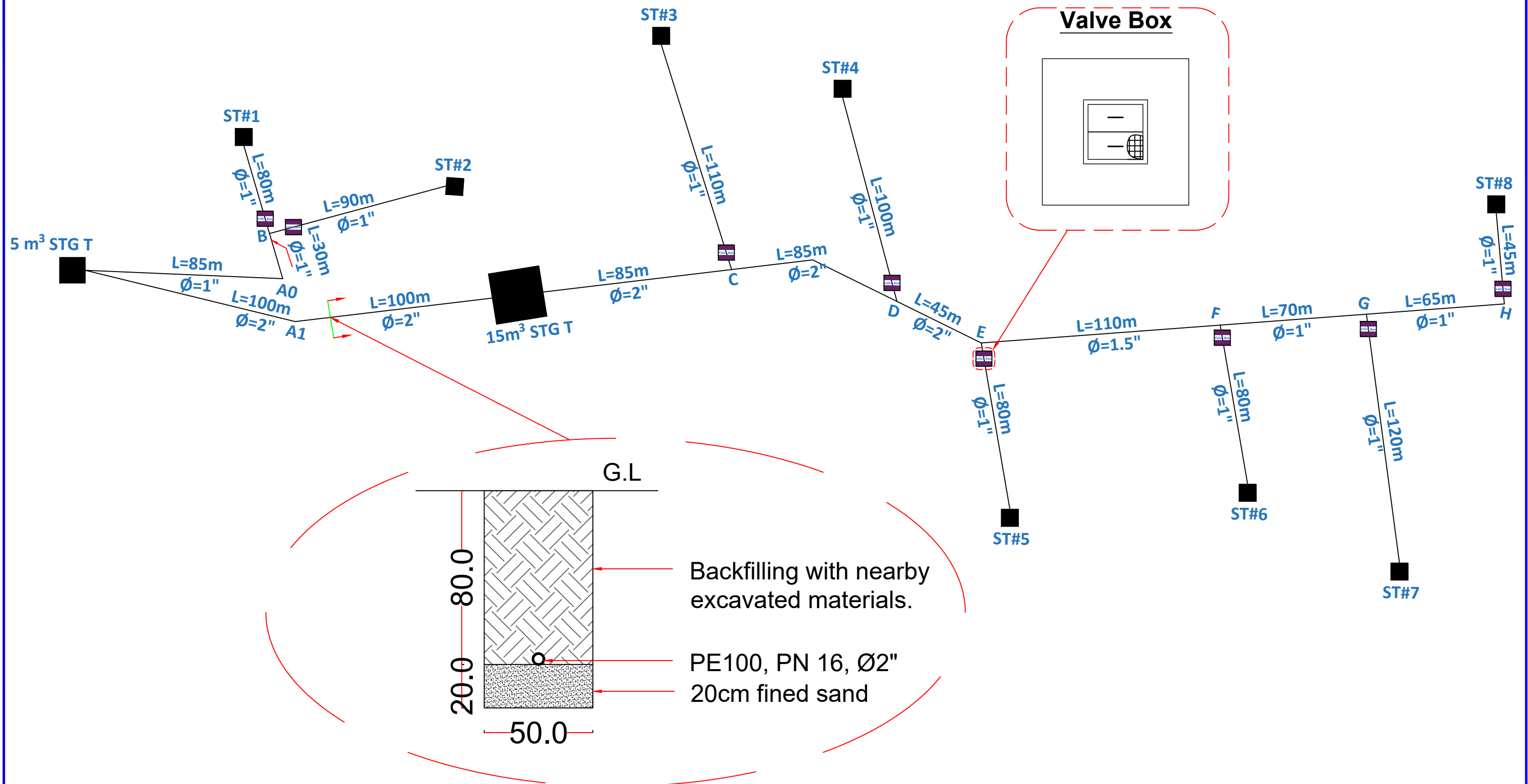
DigitalGlobe es



No	TASK AND RESPONSIBLE	DATE
1	SURVEYED BY: M.Fahim Amiry	11-December-2019
2	DESIGNED BY: M.Fahim Amiry	25-December-2019
3	REVIEWED BY: HIKMAT ARIFZAI	
4	APPROVED BY: MARGOT DURIN	

Sheet No. 1/19

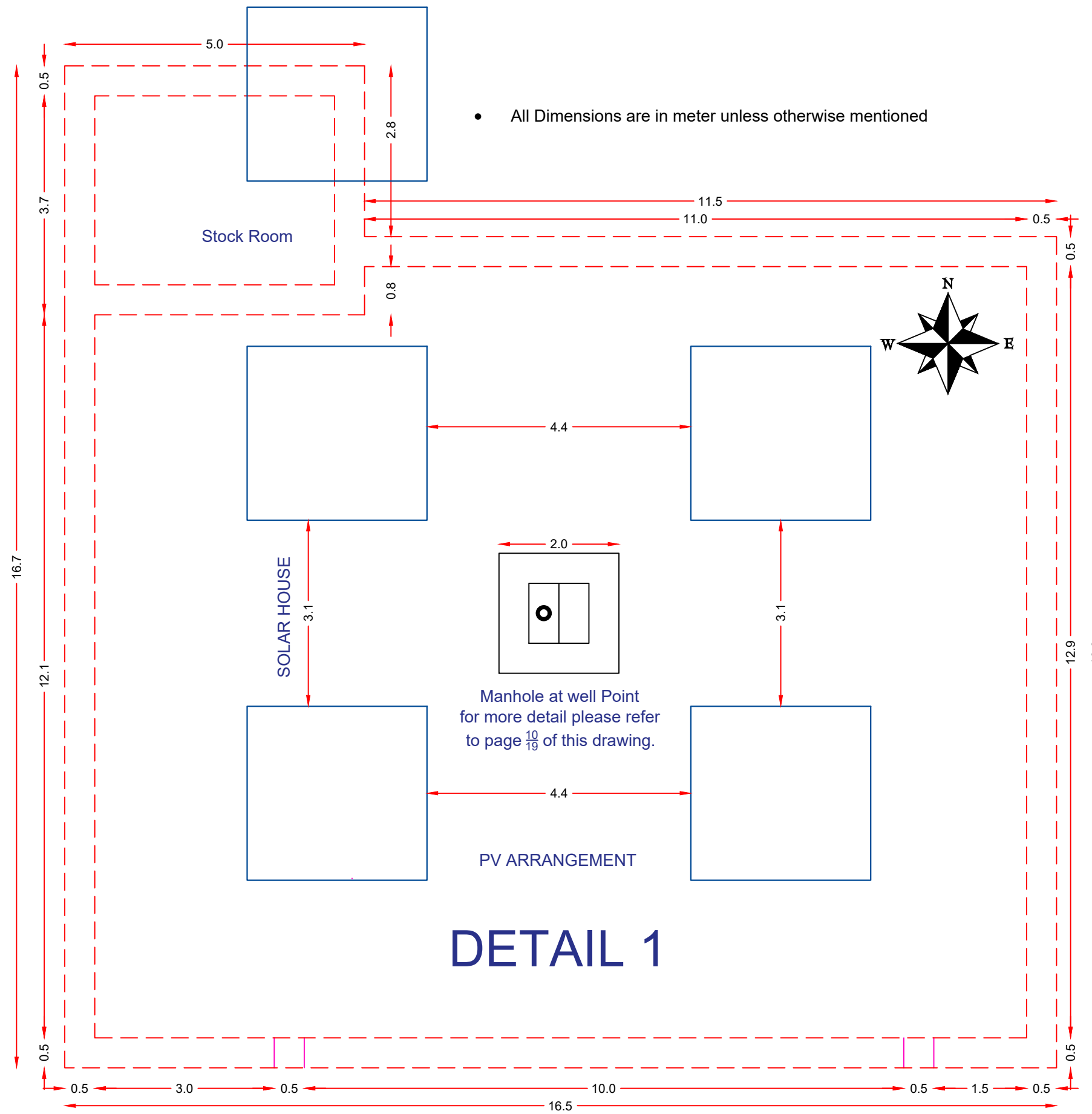
PROVINCE	HERAT	SCALE	1:1	PROJECT	WASH/CRS/OFDA
DISTRICT	Kushk Rabat Sangi	START DATE	01-February-2020	PROJECT SUB TITLE	SOLAR POWERED WATER SUPPLY SYSTEM
VILLAGE NAME	GANG EZAT ABAD	END DATE	30-April-2020	DRAWING No.	GENERAL SITE PLAN
VILLAGE CODE	KRS-14				



PIPE NETWORK



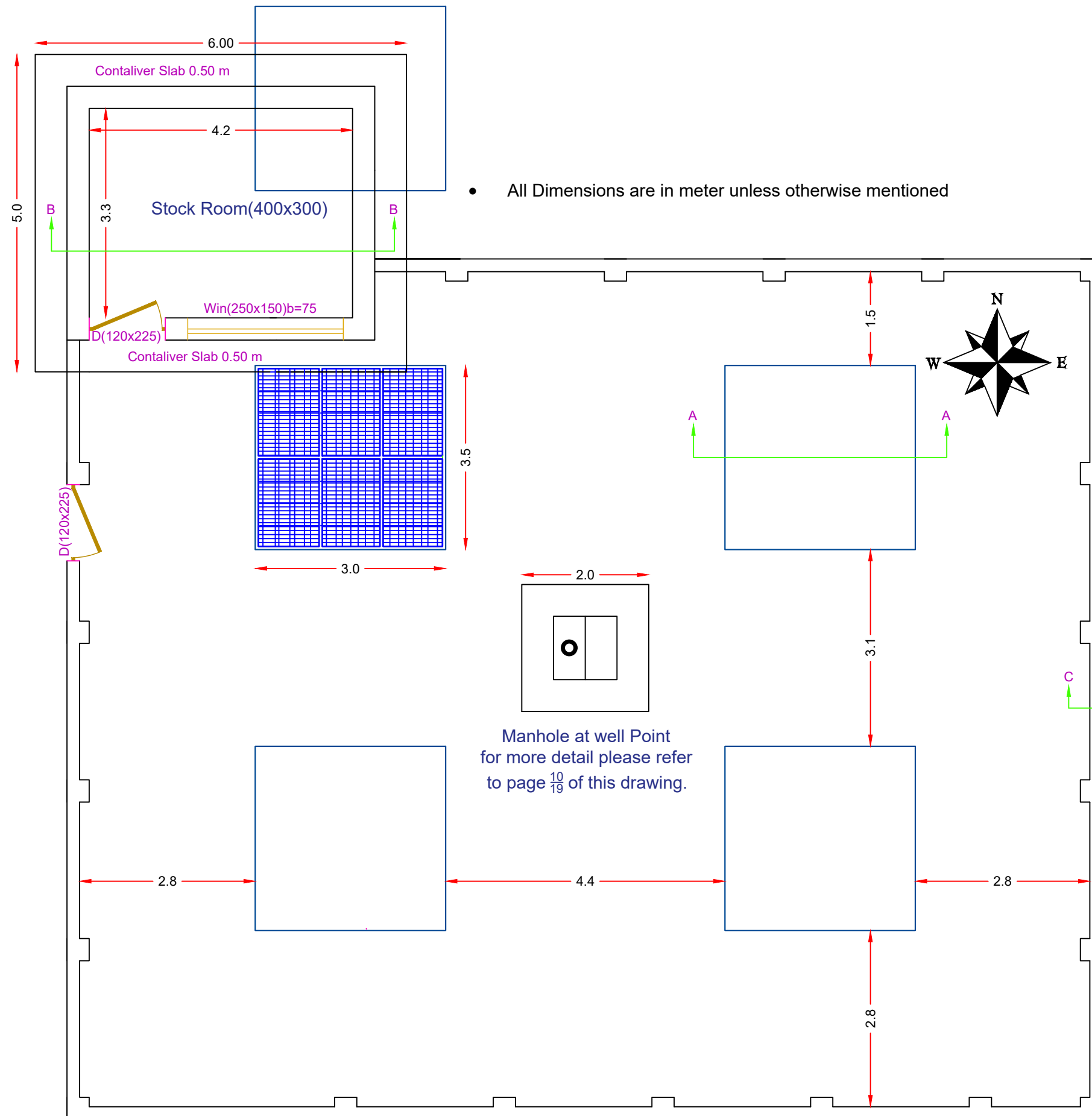
No	TASK AND RESPONSIBLE	DATE		PROVINCE	HERAT	SCALE	1:1	PROJECT	WASH/CRS/OFDA
1	SURVEYED BY: M.Fahim Amiry	11-December-2019	Sheet No. 2/19	DISTRICT	Kushk Rabat Sangi	START DATE	01-Fbruary-2020	PROJECT SUB TITLE	SOLAR POWERED WATER SUPPLY SYSTEM
2	DESIGNED BY: M.Fahim Amiry	25-December-2019		VILLAGE NAME	GANG EZAT ABAD	END DATE	30-April-2020	DRAWING No.	PIPE NETWORK
3	REVIEWED BY: HIKMAT ARIFZAI			VILLAGE CODE	KRS-14				
4	APPROVED BY: MARGOT DURIN								



No	TASK AND RESPONSIBLE	DATE
1	SURVEYED BY: M.Fahim Amiry	11-December-2019
2	DESIGNED BY: M.Fahim Amiry	25-December-2019
3	REVIEWED BY: HIKMAT ARIFZAI	
4	APPROVED BY: MARGOT DURIN	

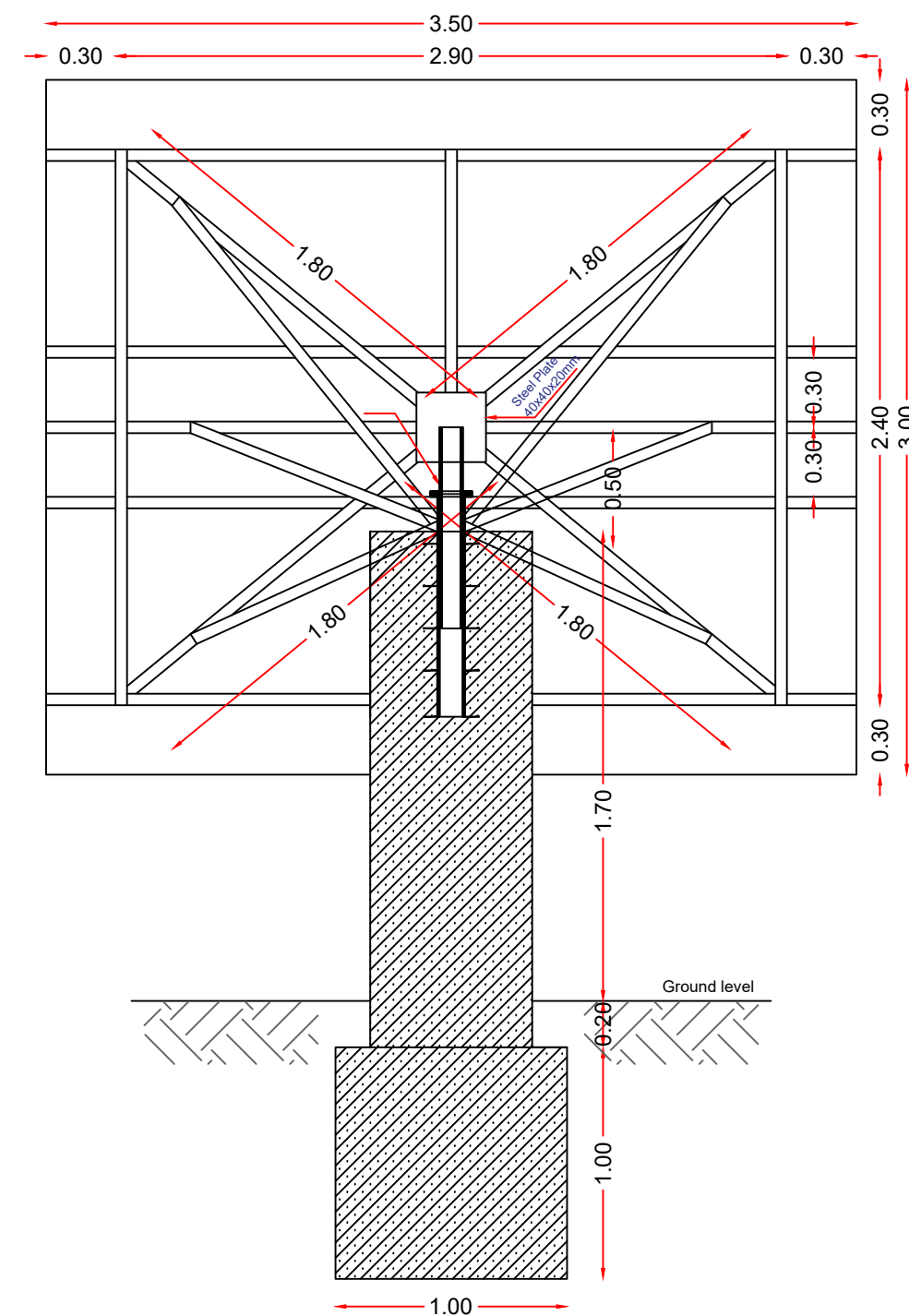
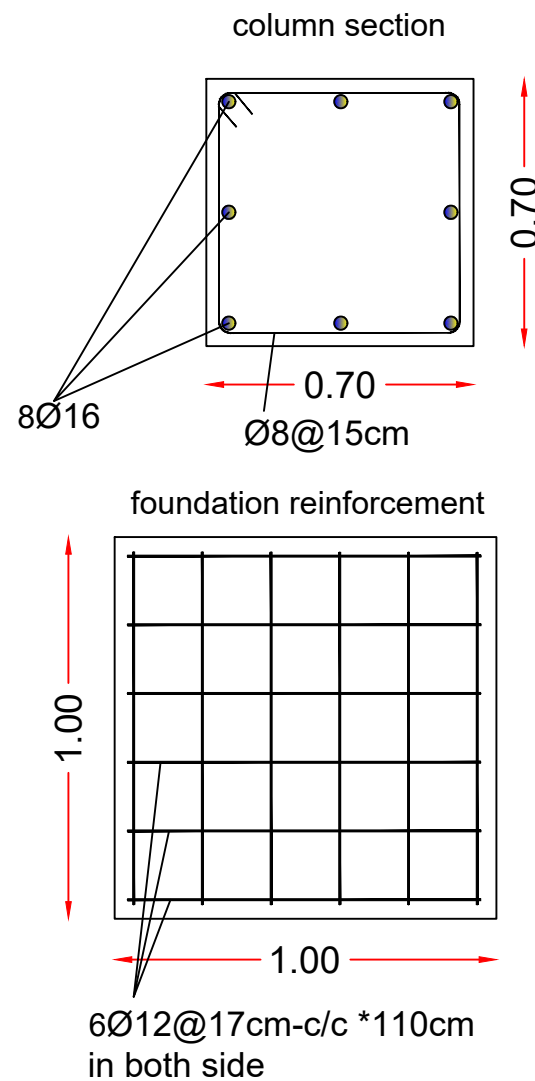
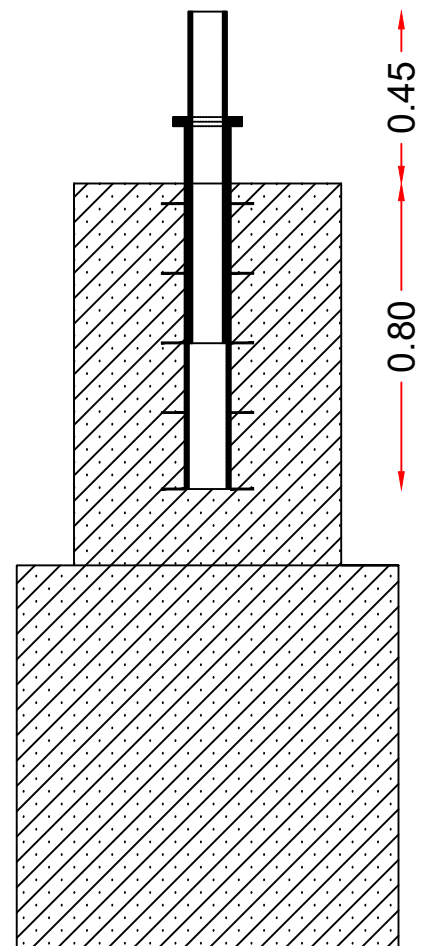
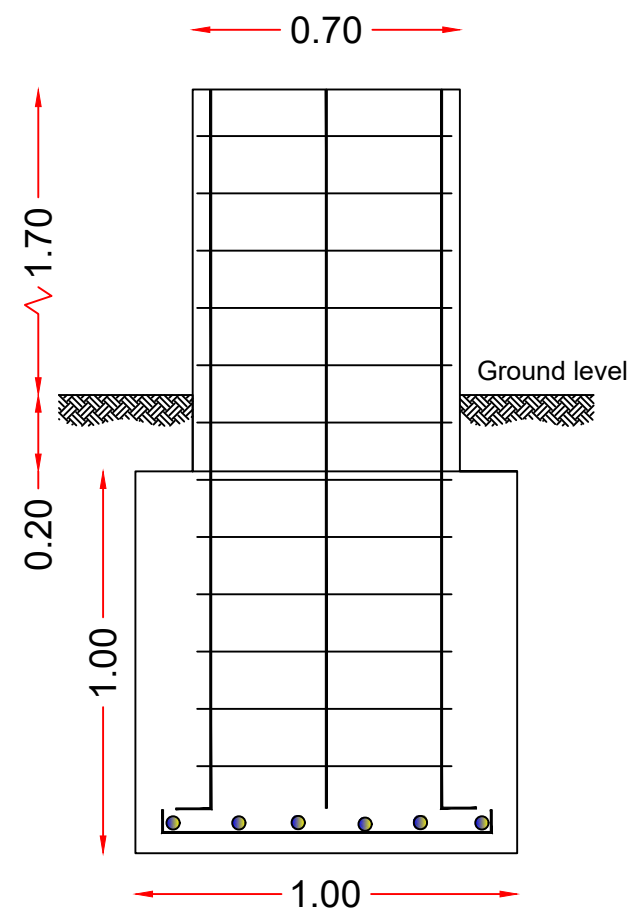
Sheet No. 3/19

PROVINCE	HERAT	SCALE	1:1	PROJECT	WASH/CRS/OFDA
DISTRICT	Kushk Rabat Sangi	START DATE	01-February-2020	PROJECT SUB TITLE	SOLAR POWERED WATER SUPPLY SYSTEM
VILLAGE NAME	GANG EZAT ABAD	END DATE	30-April-2020	DRAWING No.	SOLAR HOUSE FOUNDATION PLAN
VILLAGE CODE	KRS-14				



No	TASK AND RESPONSIBLE	DATE	Sheet No. $\frac{4}{19}$	PROVINCE	HERAT	SCALE	1:1	PROJECT	WASH/CRS/OFDA
1	SURVEYED BY: M.Fahim Amiry	11-December-2019		DISTRICT	Kushk Rabat Sangi	START DATE	01-Fberuary-2020	PROJECT SUB TITLE	SOLAR POWERED WATER SUPPLY SYSTEM
2	DESIGNED BY: M.Fahim Amiry	25-December-2019		VILLAGE NAME	GANG EZAT ABAD	END DATE	30-April-2020	DRAWING No.	SOLAR HOUSE PV ARRANGEMENTS
3	REVIEWED BY: HIKMAT ARIFZAI			VILLAGE CODE	KRS-14				
4	APPROVED BY: MARGOT DURIN								

the reinforcement and details plan of solar pile foundation and frame



SECTION (A-A)

- 1) All the dimensions are in m.
- 2) the RCC mark should be 1:1:2 (250)
- 3) the steel bars should be clean from oil, corrosion, and etc
- 4) the water must be clean
- 5) the dimensions of main steel pipe in concrete column should be 5in diameter and 5mm thickness
- 6) the dimensions of rotational steel pipe should be 4in diameter and 5mm thickness
- 7) the thickness of fixed flange should be 12mm
- 8) the thickness of movable flange should be 12mm
- 9) the dimension of main fram should be steel box(5cm*5cm) and the weight should be 15kg
- 10) the dimension of sub frame should be steel box(4cm*4cm) and the weight should be 15kg
- 11) the dimension of supporters fram should be steel box(4cm*4cm) and the weight should be 15kg

DETAILS OF SECTION (A-A)



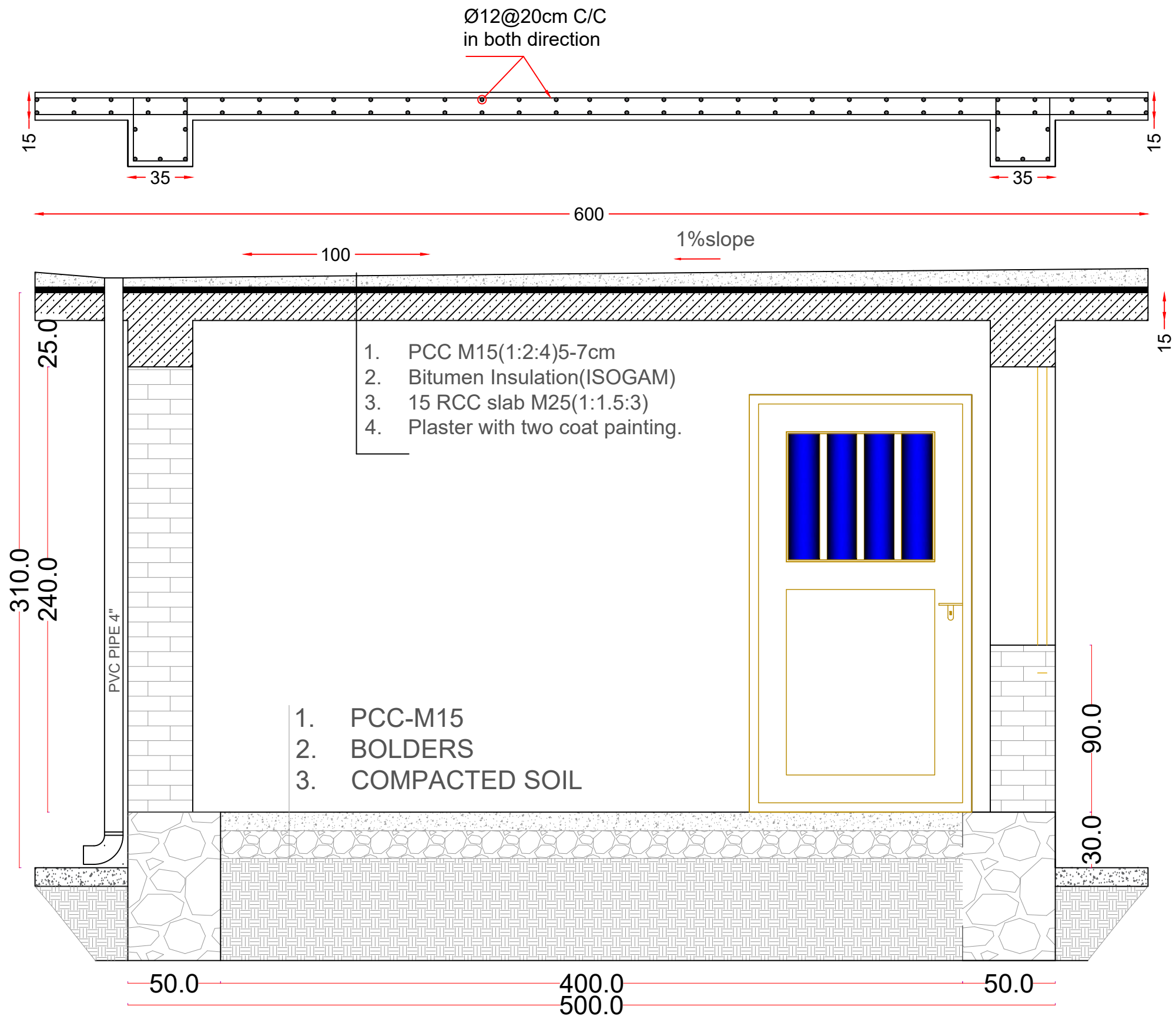
No	TASK AND RESPONSIBLE	DATE
1	SURVEYED BY: M.Fahim Amiry	11-December-2019
2	DESIGNED BY: M.Fahim Amiry	25-December-2019
3	REVIEWED BY: HIKMAT ARIFZAI	
4	APPROVED BY: MARGOT DURIN	

Sheet No.	5/19
-----------	------

PROVINCE	HERAT
DISTRICT	Kushk Rabat Sangi
VILLAGE NAME	GANG EZAT ABAD
VILLAGE CODE	KRS-14

SCALE	1:1
START DATE	01-Fbruary-2020
END DATE	30-April-2020

PROJECT	WASH/CRS/OFDA
PROJECT SUB TITLE	SOLAR POWERED WATER SUPPLY SYSTEM
DRAWING No.	SOLAR MOUNTED STRUCTURE

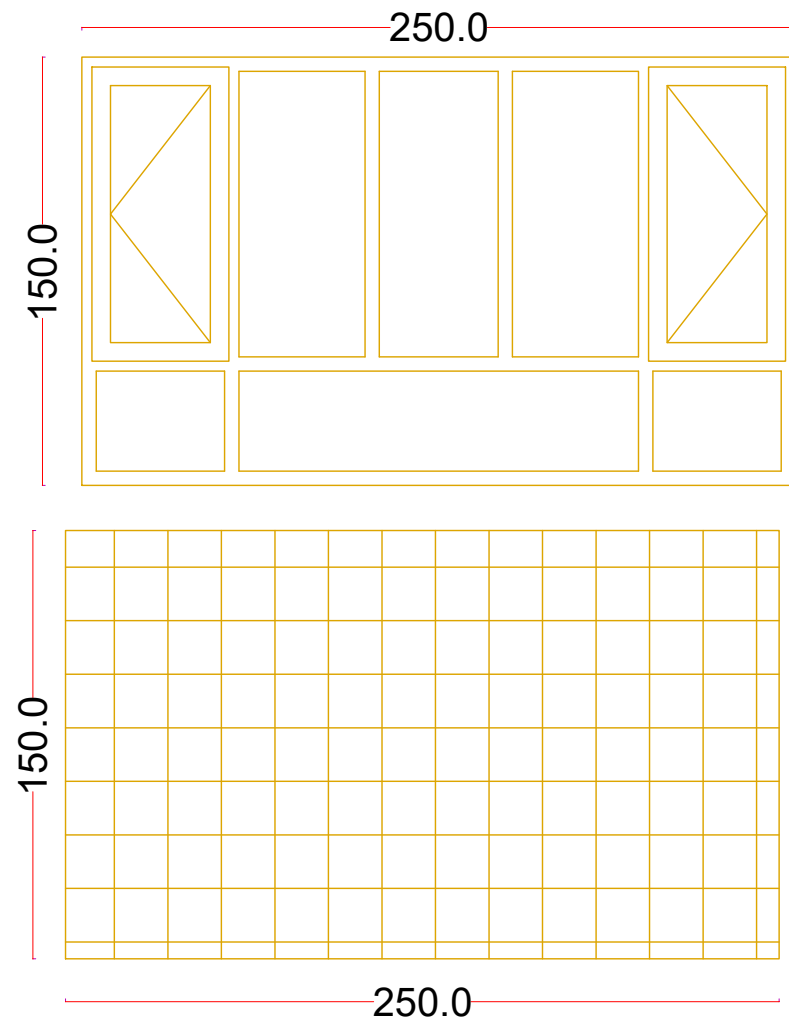


SECTION (B-B)

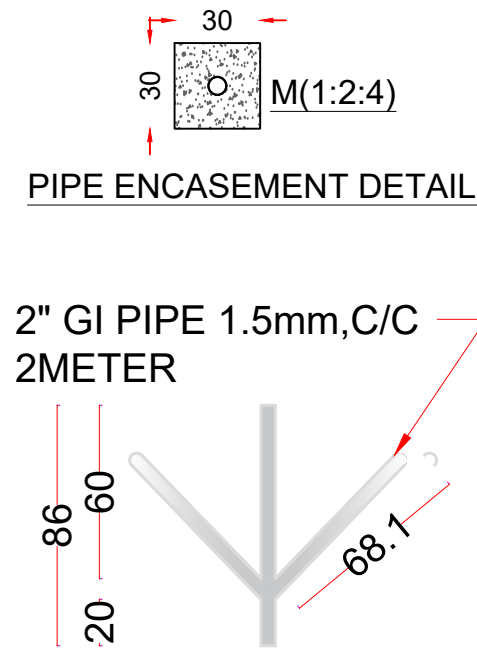
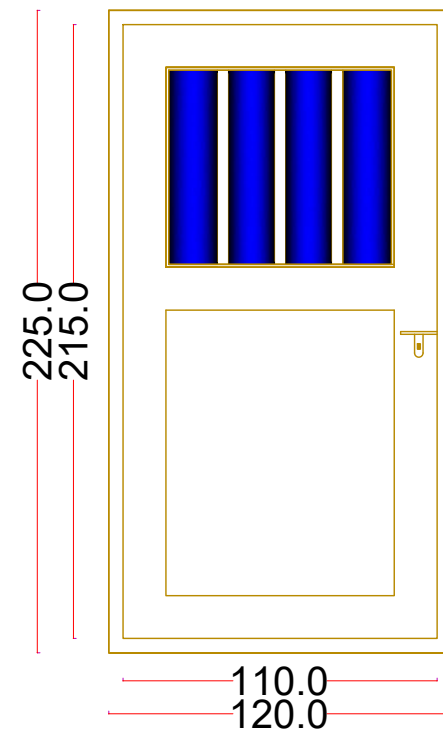


No	TASK AND RESPONSIBLE	DATE	Sheet No. 6/19	PROVINCE	HERAT	SCALE	1:1	PROJECT	WASH/CRS/OFDA
1	SURVEYED BY: M.Fahim Amiry	11-December-2019		DISTRICT	Kushk Rabat Sangi	START DATE	01-Fberuary-2020	PROJECT SUB TITLE	SOLAR POWERED WATER SUPPLY SYSTEM
2	DESIGNED BY: M.Fahim Amiry	25-December-2019		VILLAGE NAME	GANG EZAT ABAD	END DATE	30-April-2020	DRAWING No.	WELL HOUSE
3	REVIEWED BY: HIKMAT ARIFZAI			VILLAGE CODE	KRS-14				
4	APPROVED BY: MARGOT DURIN								

ALL PROFILE SHOULD BE 16GUAGE
PAINTED WITH (ONE LAYER OF RUST PROOF
,TWO LAYERS OF SILVER COLOR OIL PAINT)

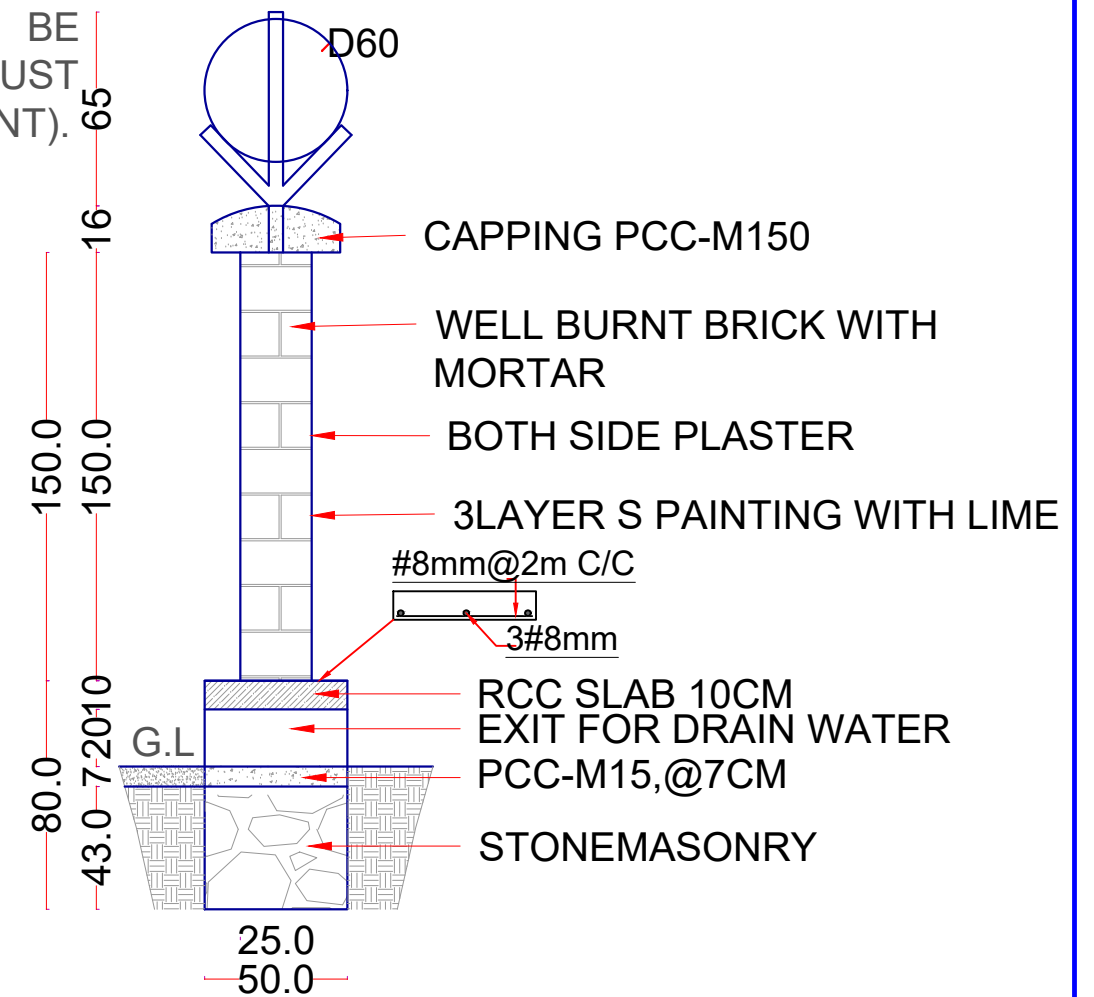


DOOR CASING -U-LARAN 16GUAGE
DOOR PANELS- 18GUAGE-IRON SHEET
DOOR RAIL -PROFILE (8x4)cm 16GUAGE
DOOR GLASS PANELS - 4mm BLUE COLOR GLASS
MANUAL LOCK AND LATCH SET AT BOTH SIDE
PRIOR TO INSTALLATION DOOR SHOULD BE
PROPERLY PAINTED WITH (ONE LAYER OF RUST
PROOF ,TWO LAYERS OF SILVER COLOR OIL PAINT).



SECTION (C-C)

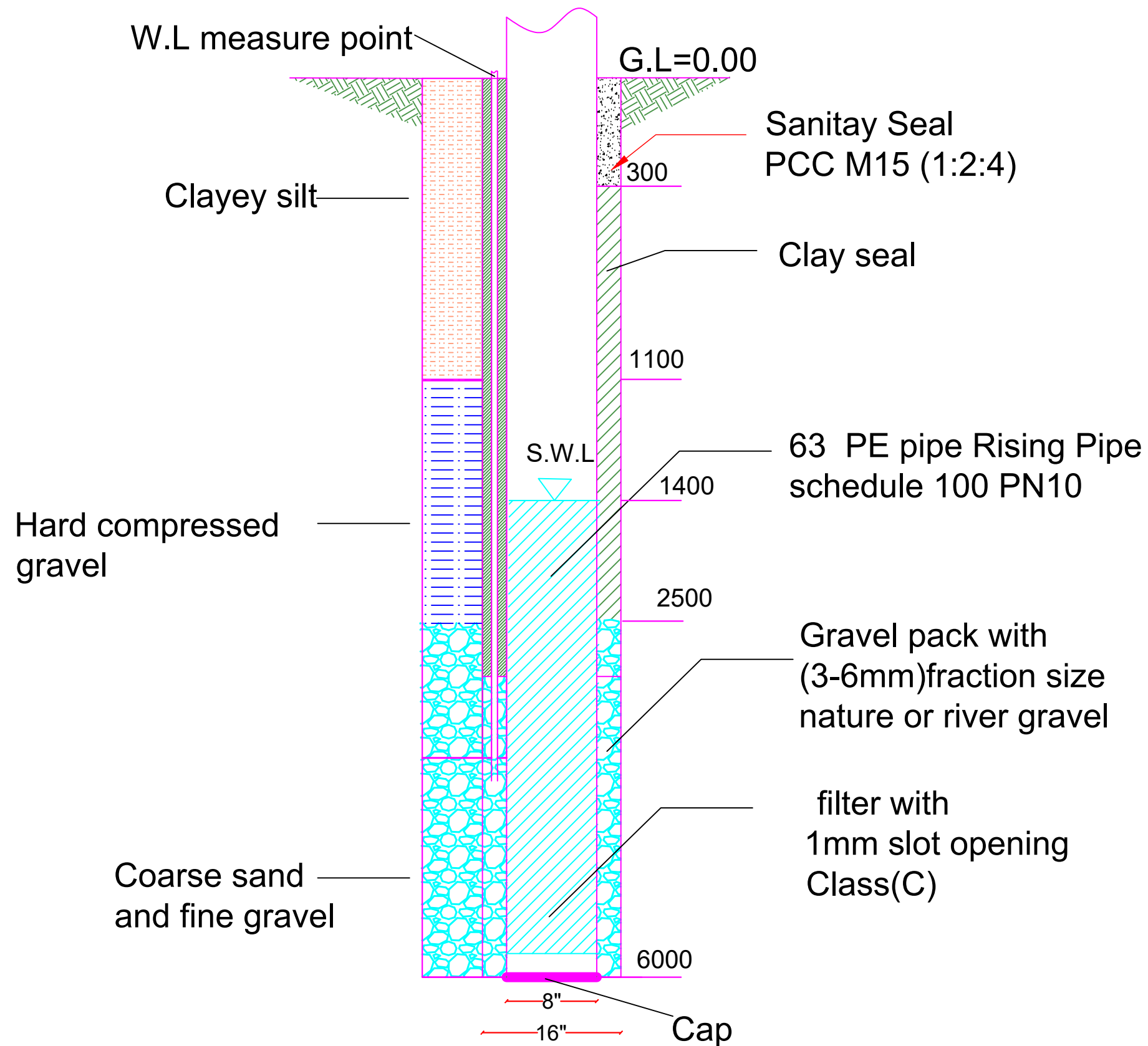
1-HEAVY GALVANIZED CONCERTINA WIRE
2KG/BUNDLE
2-SUPPORTED WITH 4 LINE DOUBLE WIRE
BARBED WIRE>
3-FIXED AT SHAPE POE C/C 2METERS



SECTION (C-C)

No	TASK AND RESPONSIBLE	DATE	Sheet No.	PROVINCE	HERAT	SCALE	1:1	PROJECT	WASH/CRS/OFDA
1	SURVEYED BY: M.Fahim Amiry	11-December-2019	7/19	DISTRICT	Kushk Rabat Sangi	START DATE	01-Fberuary-2020	PROJECT SUB TITLE	SOLAR POWERED WATER SUPPLY SYSTEM
2	DESIGNED BY: M.Fahim Amiry	25-December-2019		VILLAGE NAME	GANG EZAT ABAD	END DATE	30-April-2020	DRAWING No.	BOUNDARY WALL SECTION
3	REVIEWED BY: HIKMAT ARIFZAI			VILLAGE CODE	KRS-14				
4	APPROVED BY: MARGOT DURIN								

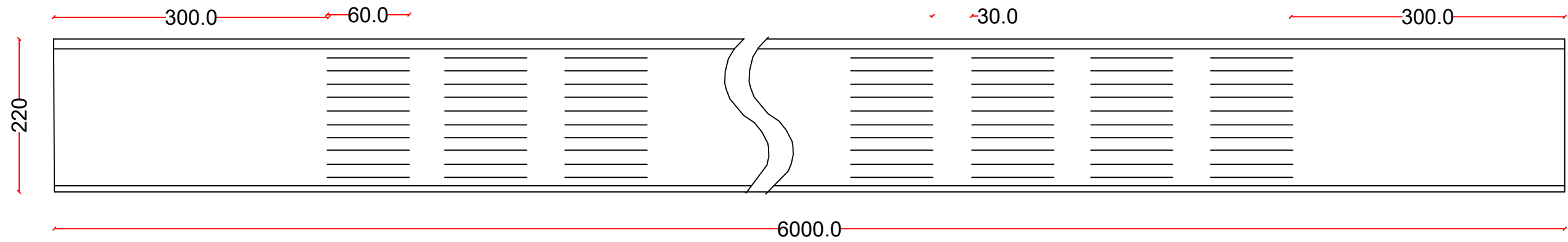
Borehole Well Design in Unconsolidated Formation



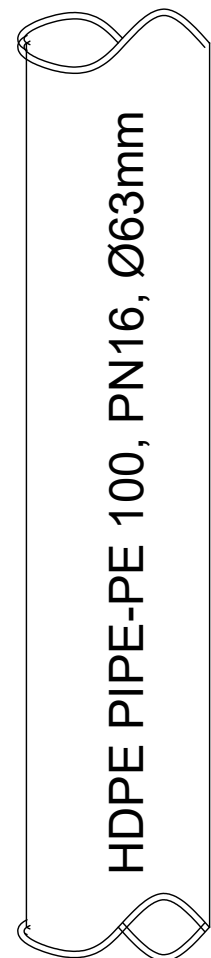
No	TASK AND RESPONSIBLE	DATE
1	SURVEYED BY: M.Fahim Amiry	11-December-2019
2	DESIGNED BY: M.Fahim Amiry	25-December-2019
3	REVIEWED BY: HIKMAT ARIFZAI	
4	APPROVED BY: MARGOT DURIN	

PROVINCE	HERAT	SCALE	1:1	PROJECT	WASH/CRS/OFDA
DISTRICT	Kushk Rabat Sangi	START DATE	01-February-2020	PROJECT SUB TITLE	SOLAR POWERED WATER SUPPLY SYSTEM
VILLAGE NAME	GANG EZAT ABAD	END DATE	30-April-2020	DRAWING No.	WELL PROFILE
VILLAGE CODE	KRS-14				

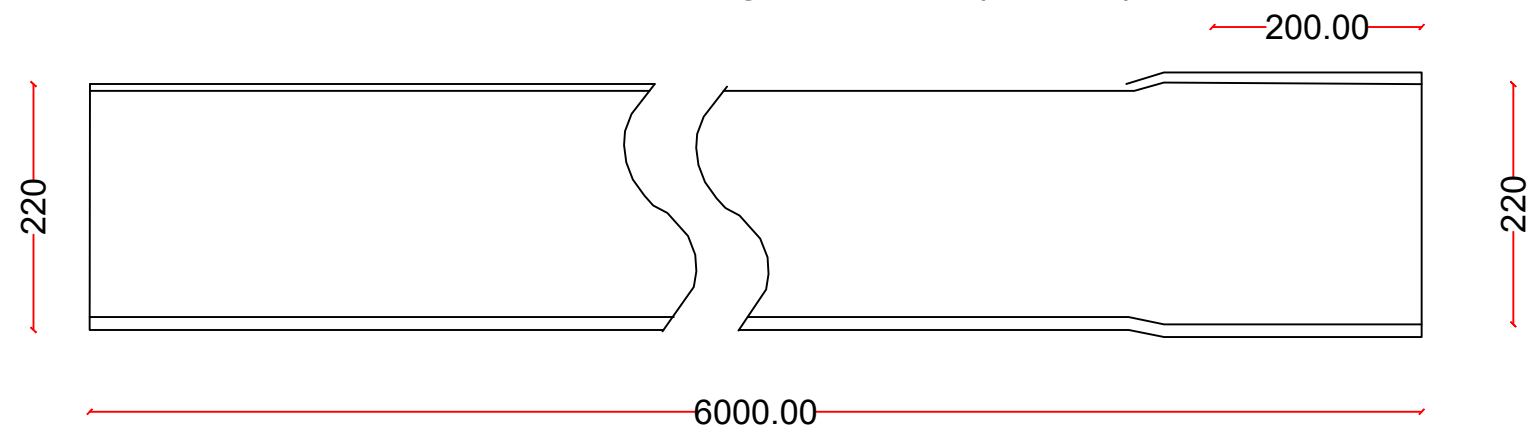
8”PVC pipe for Screen class-C (10 bar)



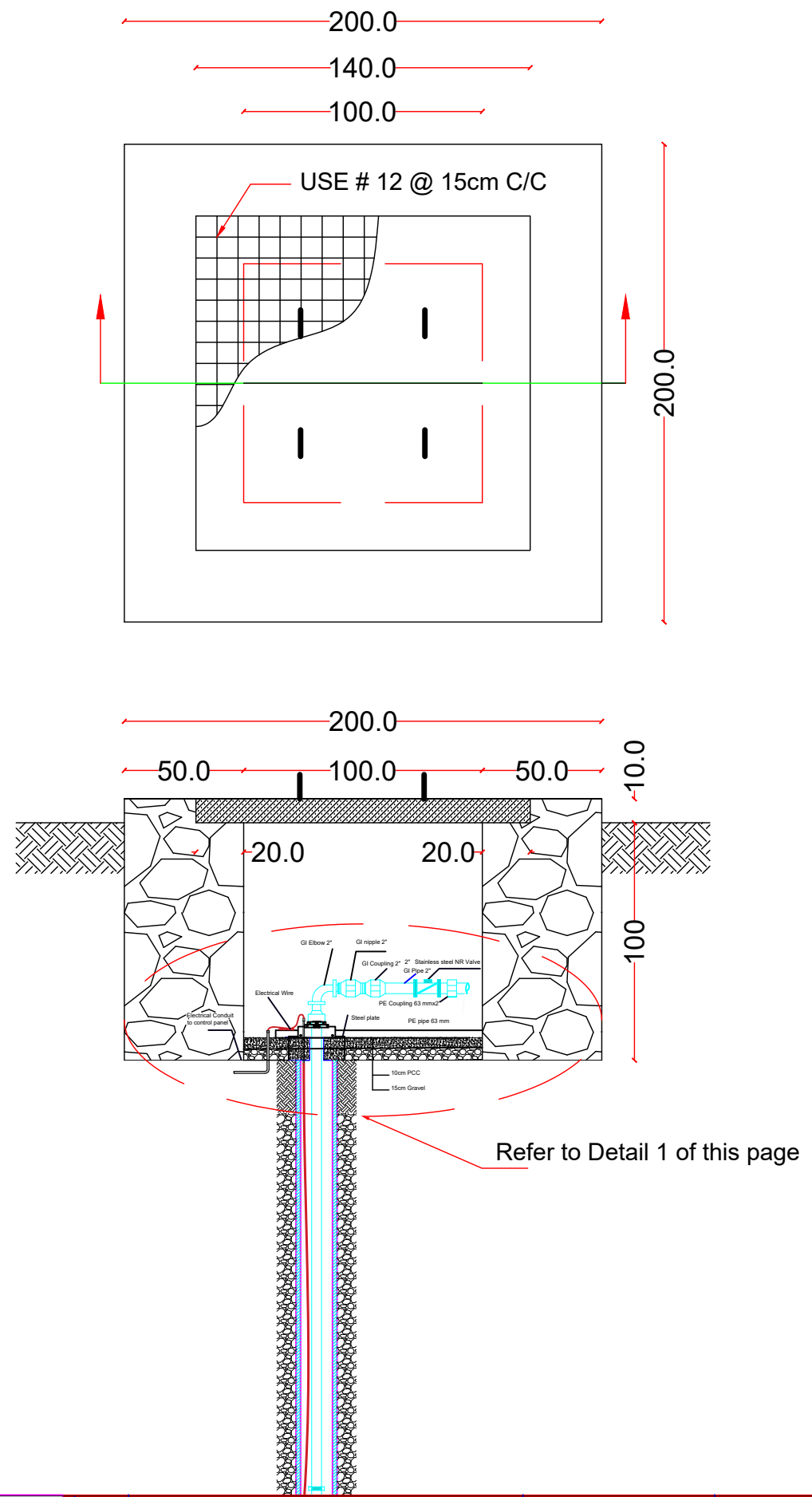
PE Rising Pipe 63mm
Schedule 100 PN 16 bar



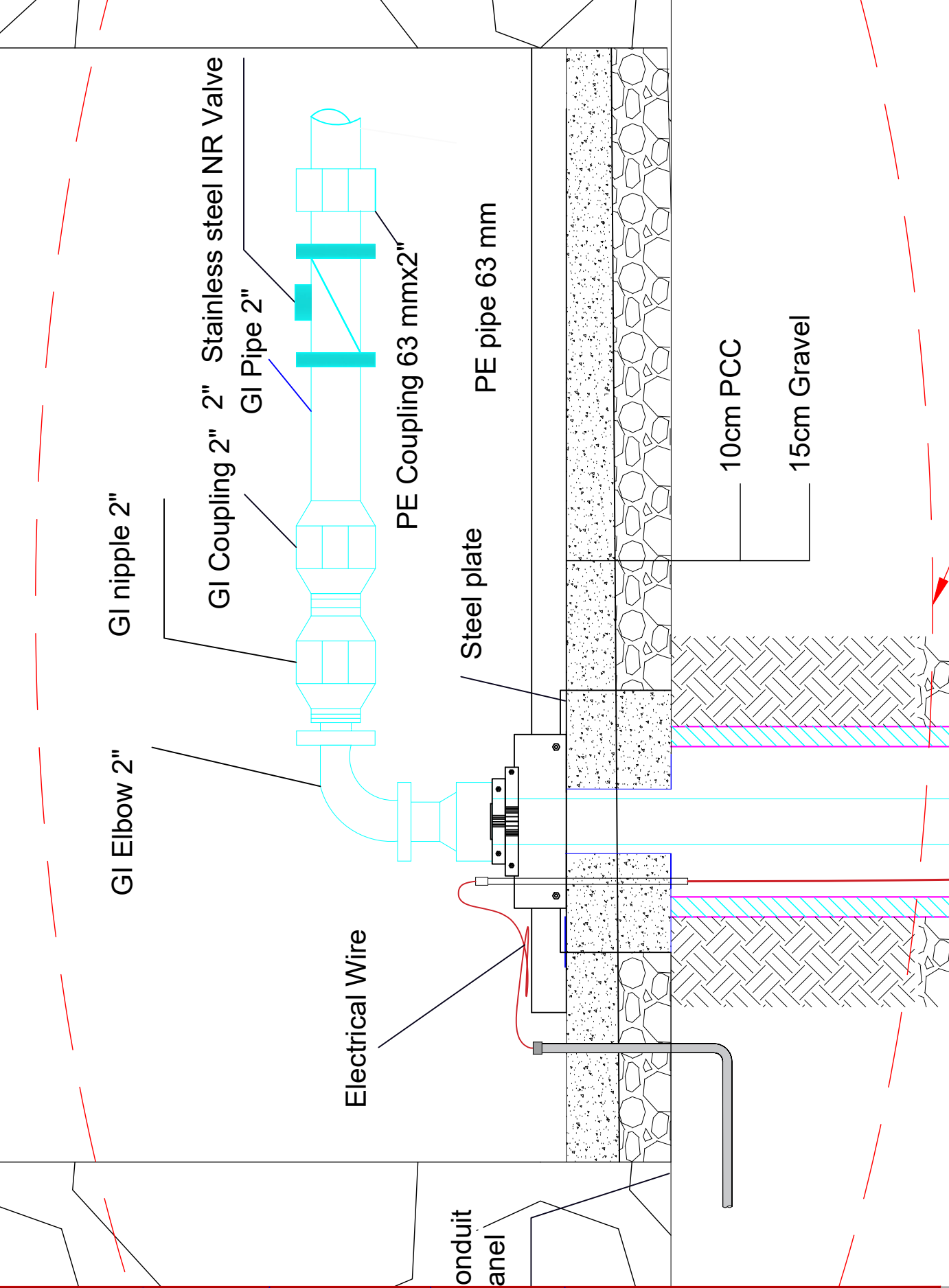
8”PVC pipe for Casings class-C (10 bar)



No	TASK AND RESPONSIBLE	DATE	Sheet No. 9/19	PROVINCE	HERAT	SCALE	1:1	PROJECT	WASH/CRS/OFDA
1	SURVEYED BY: M.Fahim Amiry	11-December-2019		DISTRICT	Kushk Rabat Sangi	START DATE	01-Fberuary-2020	PROJECT SUB TITLE	SOLAR POWERED WATER SUPPLY SYSTEM
2	DESIGNED BY: M.Fahim Amiry	25-December-2019		VILLAGE NAME	GANG EZAT ABAD	END DATE	30-April-2020	DRAWING No.	CASING, SCREENS AND RAISING PIPE DET
3	REVIEWED BY: HIKMAT ARIFZAI			VILLAGE CODE	KRS-14				
4	APPROVED BY: MARGOT DURIN								



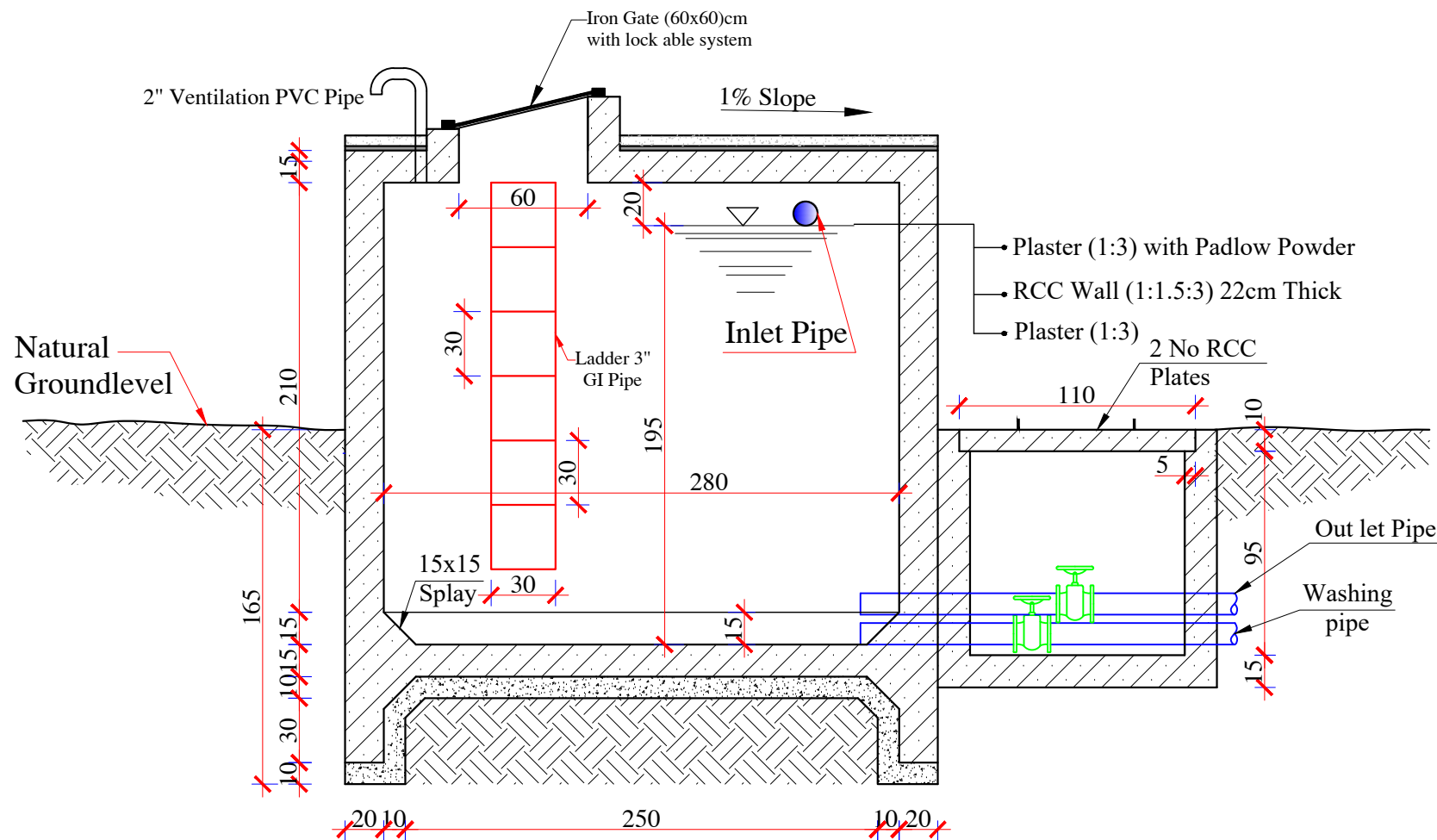
DETAIL #1



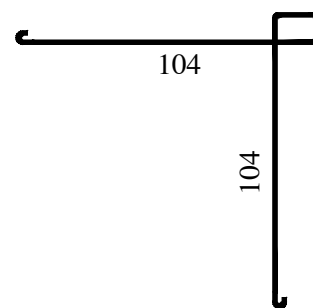
No	TASK AND RESPONSIBLE	DATE
1	SURVEYED BY: M.Fahim Amiry	11-December-2019
2	DESIGNED BY: M.Fahim Amiry	25-December-2019
3	REVIEWED BY: HIKMAT ARIFZAI	
4	APPROVED BY: MARGOT DURIN	

Sheet No. 10/19

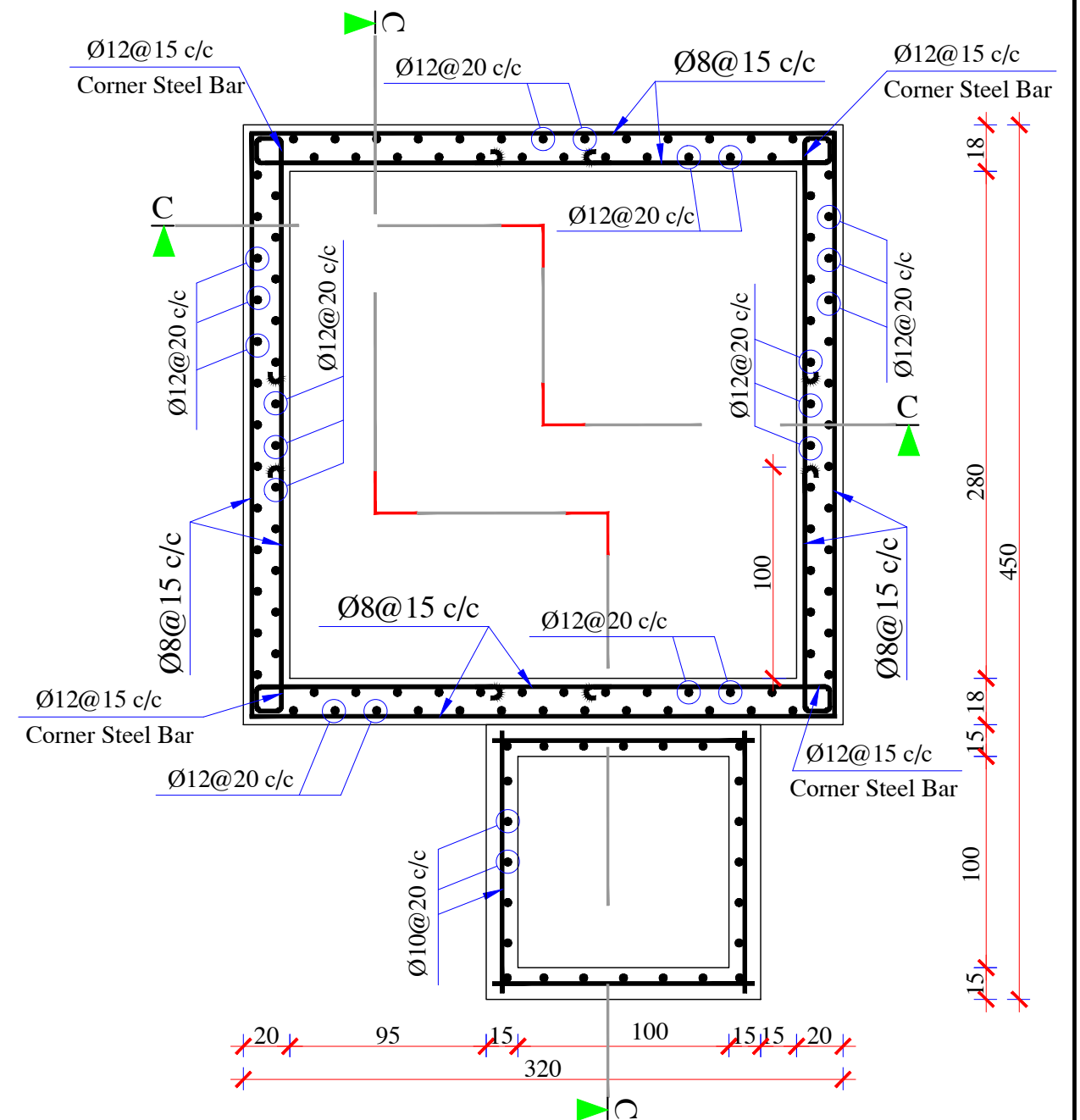
PROVINCE	HERAT	SCALE	1:1	PROJECT	WASH/CRS/OFDA
DISTRICT	Kushk Rabat Sangi	START DATE	01-February-2020	PROJECT SUB TITLE	SOLAR POWERED WATER SUPPLY SYSTEM
VILLAGE NAME	GANG EZAT ABAD	END DATE	30-April-2020	DRAWING No.	Manhole at Well Point
VILLAGE CODE	KRS-14				



SECTION B-B



Corner Steel Bar $\text{Ø}12 @ 15 \text{ c/c}$
L=250cm



REINFORCEMENT PLAN



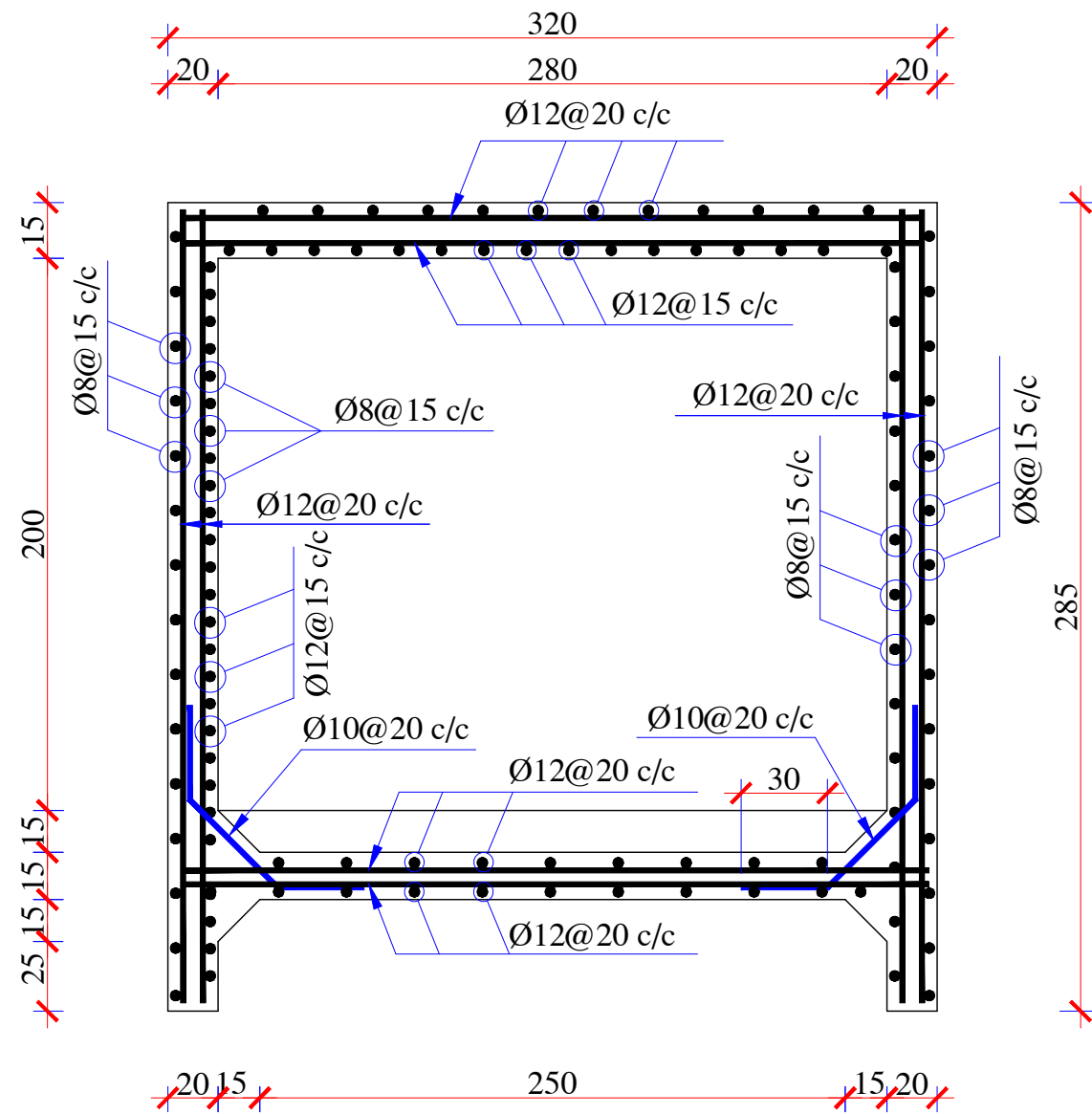
No	TASK AND RESPONSIBLE	DATE
1	SURVEYED BY: M.Fahim Amiry	11-December-2019
2	DESIGNED BY: M.Fahim Amiry	25-December-2019
3	REVIEWED BY: HIKMAT ARIFZAI	
4	APPROVED BY: MARGOT DURIN	

Sheet No.

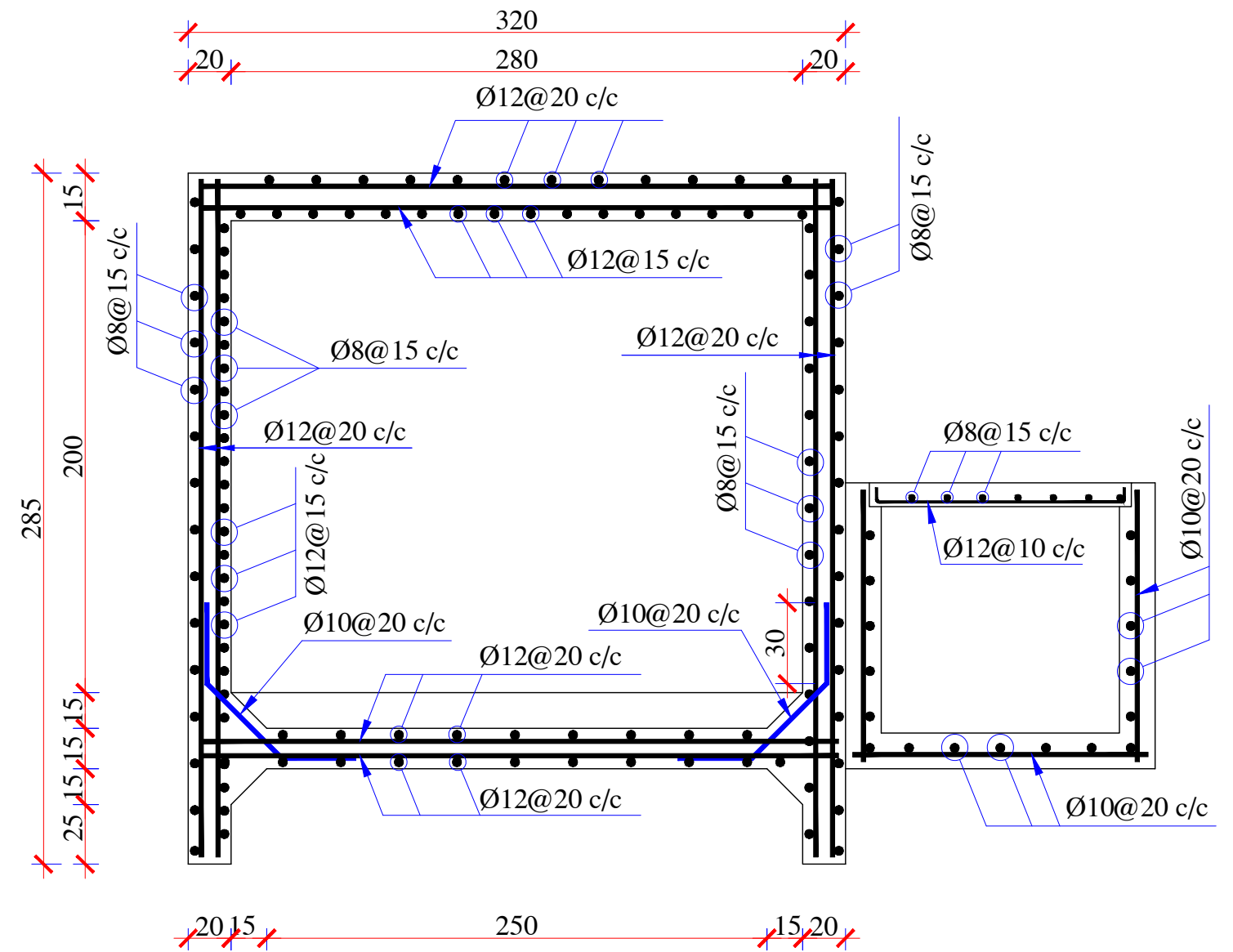
12/19

PROVINCE	HERAT
DISTRICT	Kushk Rabat Sangi
VILLAGE NAME	GANG EZAT ABAD
VILLAGE CODE	KRS-14

SCALE	1:1	PROJECT	WASH/CRS/OFDA
START DATE	01-February-2020	PROJECT SUB TITLE	SOLAR POWERED WATER SUPPLY SYSTEM
END DATE	30-April-2020	DRAWING No.	15 m ³ RCC RESERVIOR SECTIONS



SECTION C-C



SECTION D-D



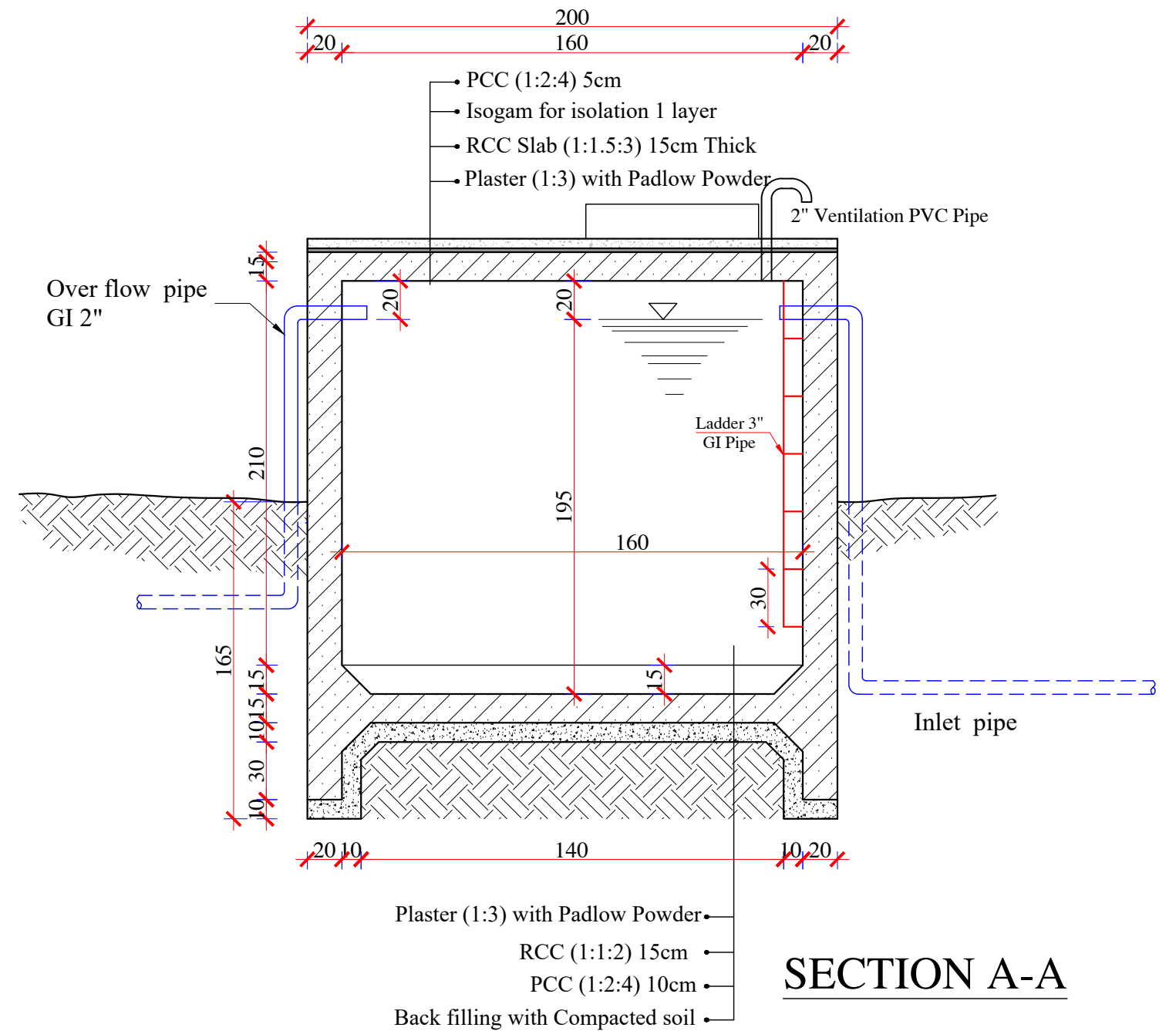
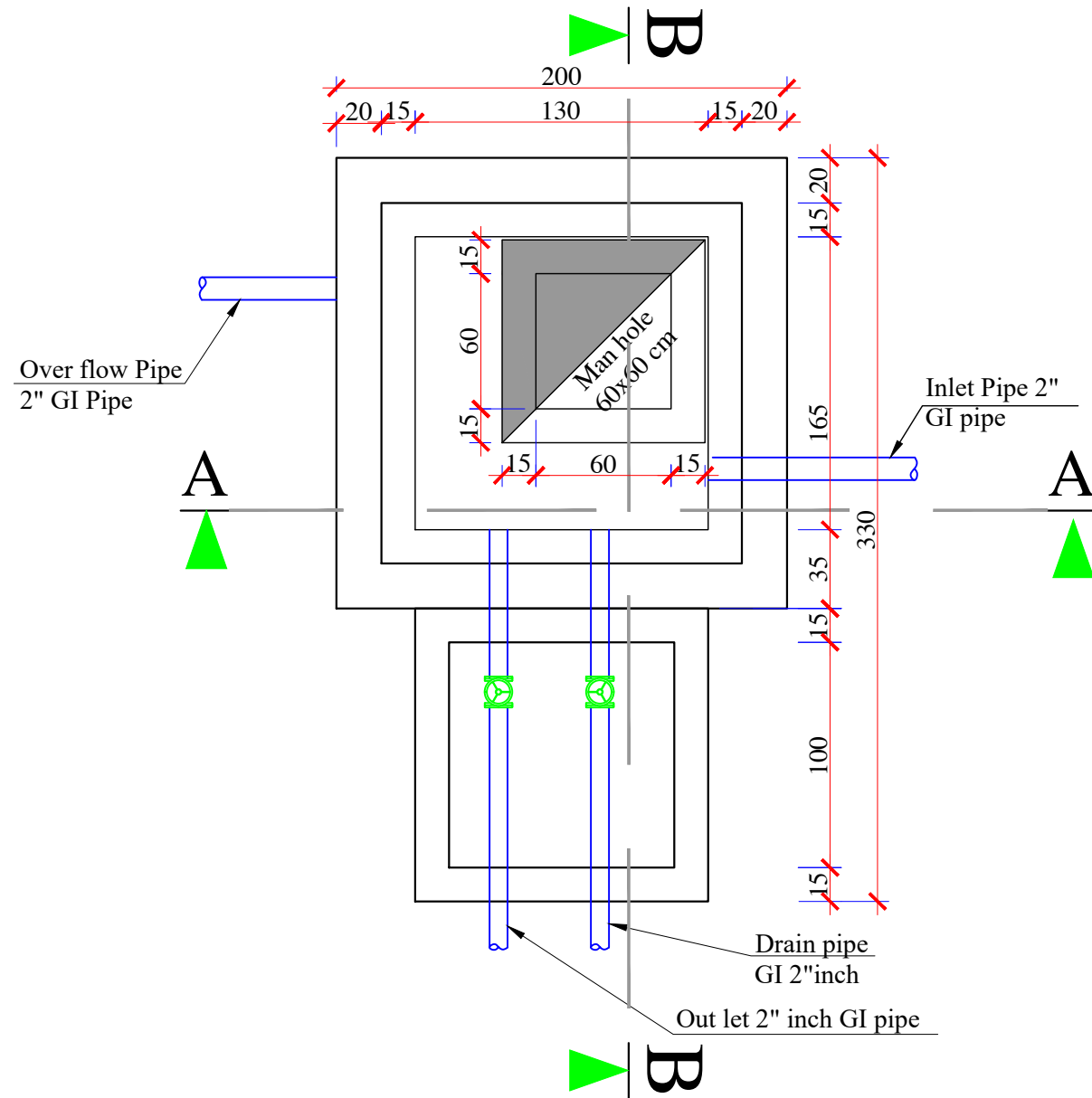
No	TASK AND RESPONSIBLE	DATE
1	SURVEYED BY: M.Fahim Amiry	11-December-2019
2	DESIGNED BY: M.Fahim Amiry	25-December-2019
3	REVIEWED BY: HIKMAT ARIFZAI	
4	APPROVED BY: MARGOT DURIN	

Sheet No.

13/19

PROVINCE	HERAT	SCALE	1:1	PROJECT	WASH/CRS/OFDA
DISTRICT	Kushk Rabat Sangi	START DATE	01-Fbruary-2020	PROJECT SUB TITLE	SOLAR POWERED WATER SUPPLY SYSTEM
VILLAGE NAME	GANG EZAT ABAD	END DATE	30-April-2020	DRAWING No.	15 m ³ RERSERVIOR STEEL BAR DETAILS
VILLAGE CODE	KRS-14				

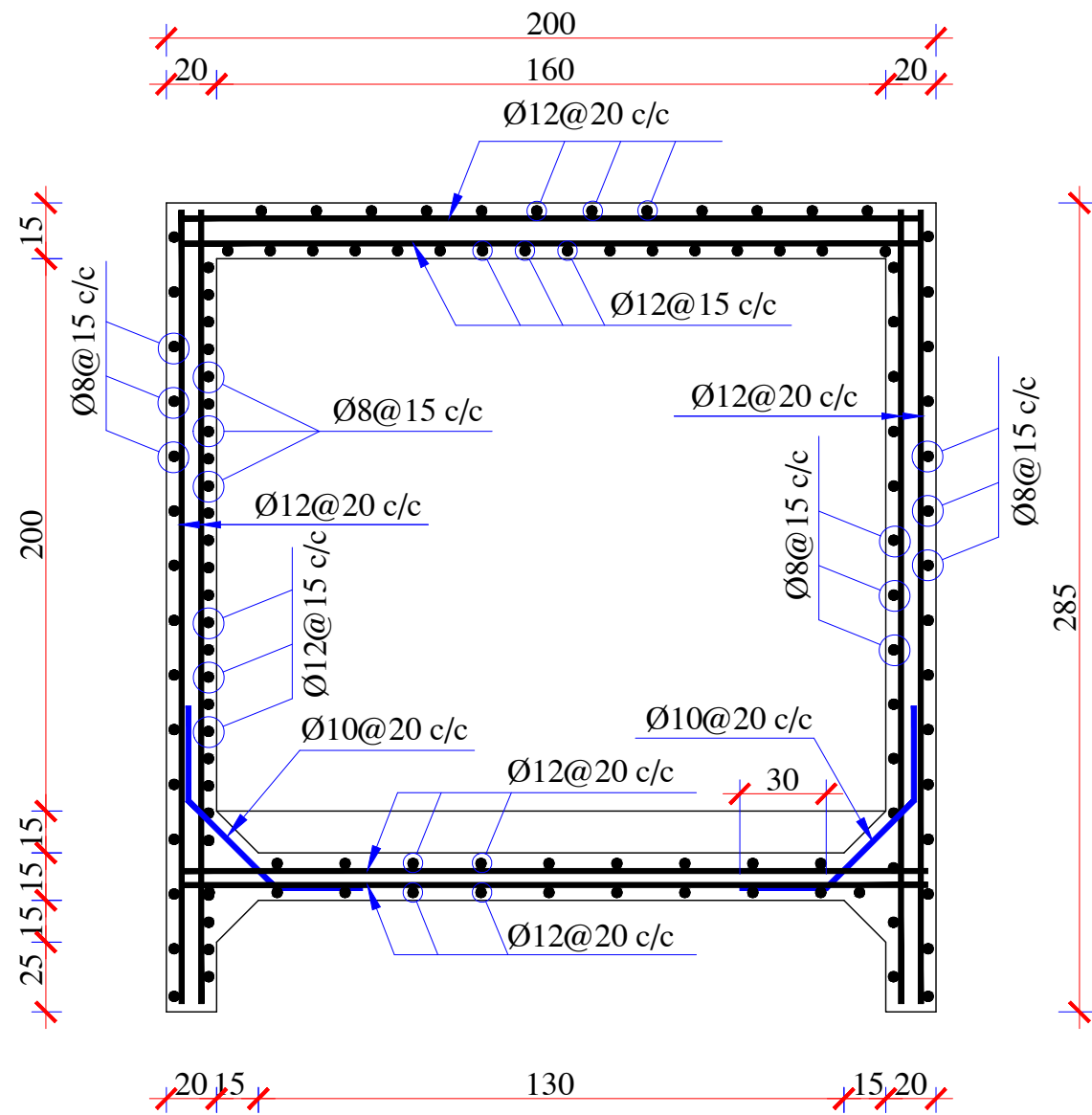
1. The overflow pipe from 5m³ reservoir will supply water to 15m³ reservoir
2. All dimensions are in centimeters unless otherwise mentioned.
3. Mark for RCC concrete shall be 25Mpa at 28-day-age cylinder crush.



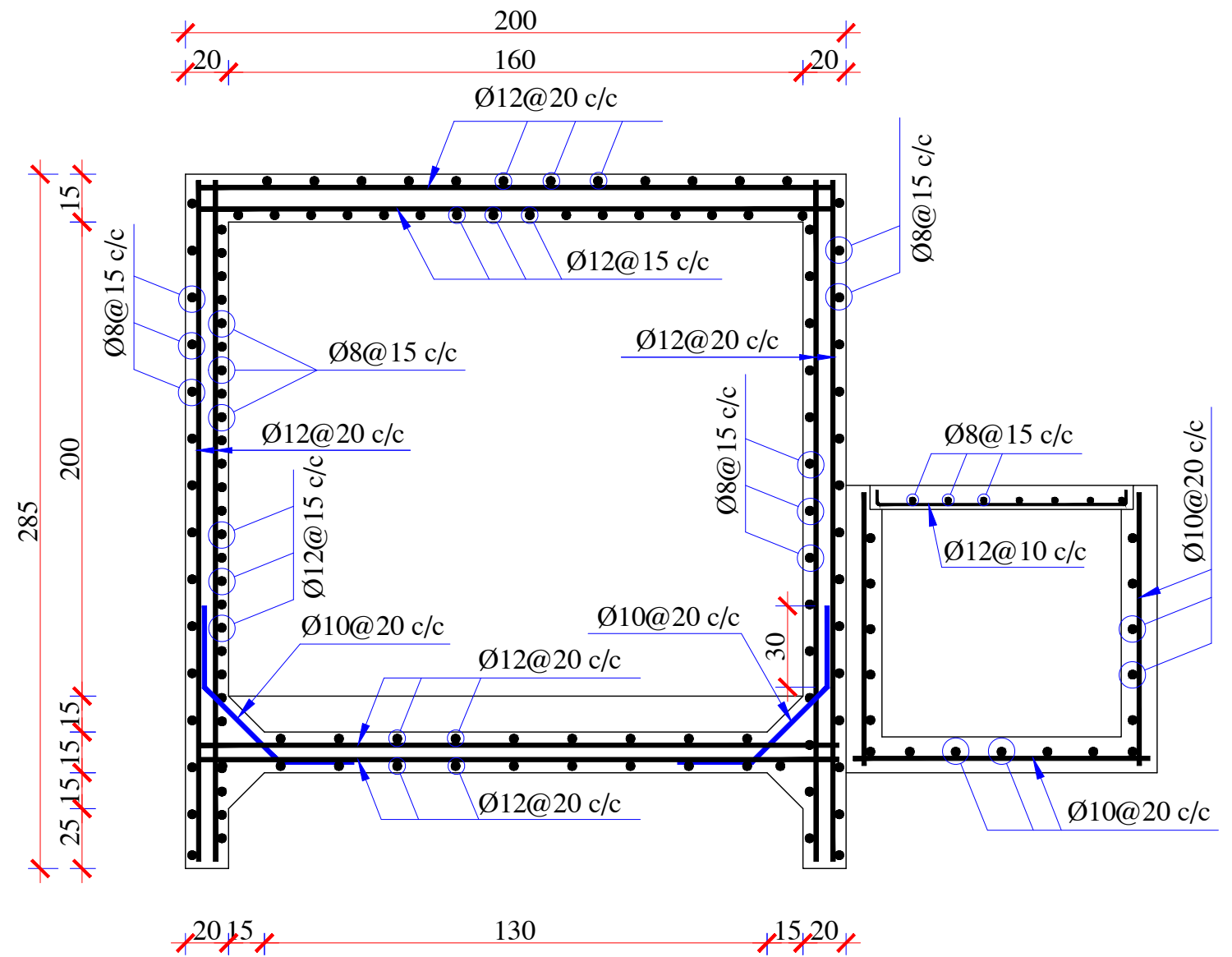
5M³ STORAGE TANK



No	TASK AND RESPONSIBLE	DATE	Sheet No. 14/19	PROVINCE	HERAT	SCALE	1:1	PROJECT	WASH/CRS/OFDA
1	SURVEYED BY: M.Fahim Amiry	11-December-2019		DISTRICT	Kushk Rabat Sangi	START DATE	01-Fberuary-2020	PROJECT SUB TITLE	SOLAR POWERED WATER SUPPLY SYSTEM
2	DESIGNED BY: M.Fahim Amiry	25-December-2019		VILLAGE NAME	GANG EZAT ABAD	END DATE	30-April-2020	DRAWING No.	5 CUBIC METER RESERVIOR PLAN
3	REVIEWED BY: HIKMAT ARIFZAI			VILLAGE CODE	KRS-14				
4	APPROVED BY: MARGOT DURIN								



SECTION C-C



SECTION D-D

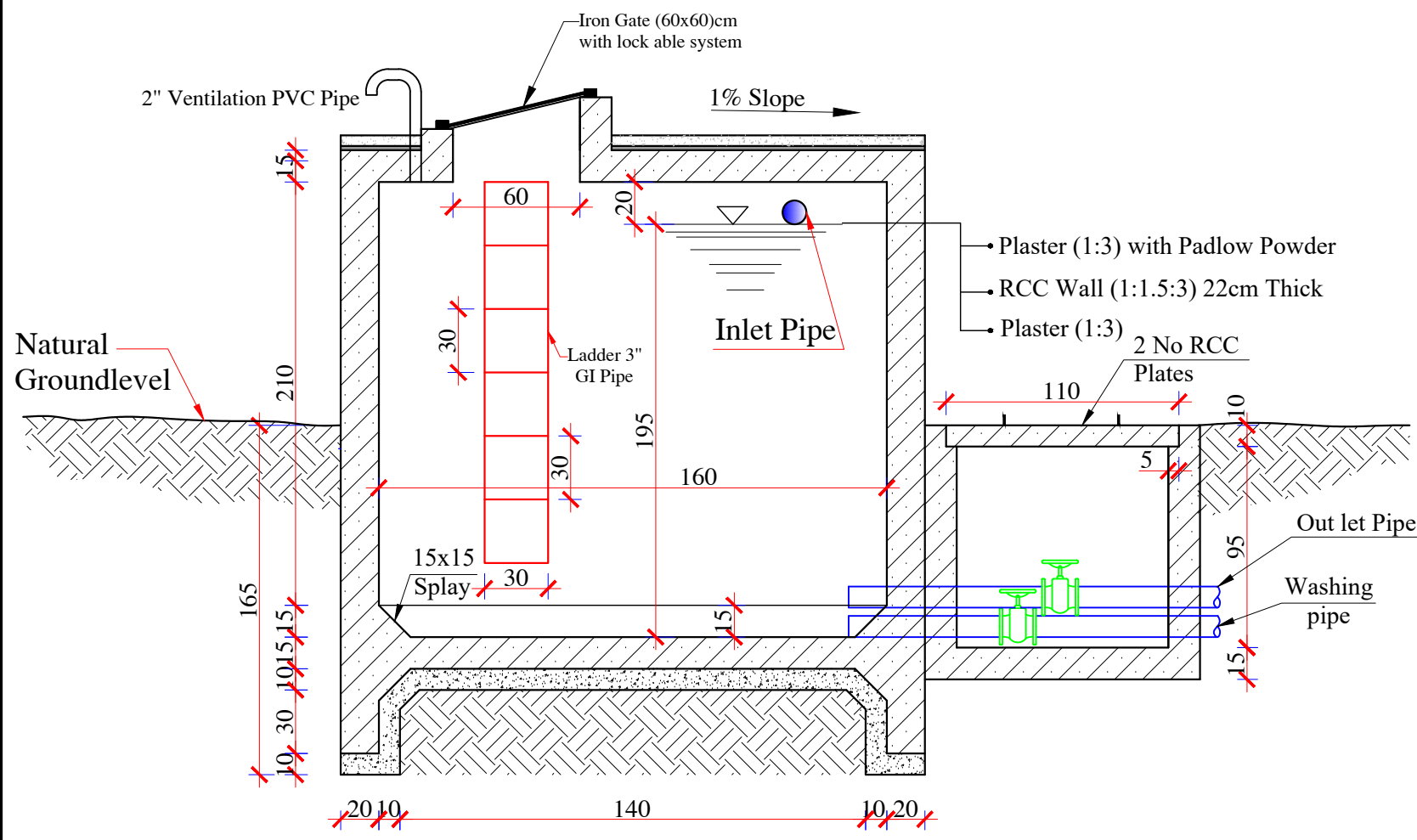


No	TASK AND RESPONSIBLE	DATE
1	SURVEYED BY: M.Fahim Amiry	11-December-2019
2	DESIGNED BY: M.Fahim Amiry	25-December-2019
3	REVIEWED BY: HIKMAT ARIFZAI	
4	APPROVED BY: MARGOT DURIN	

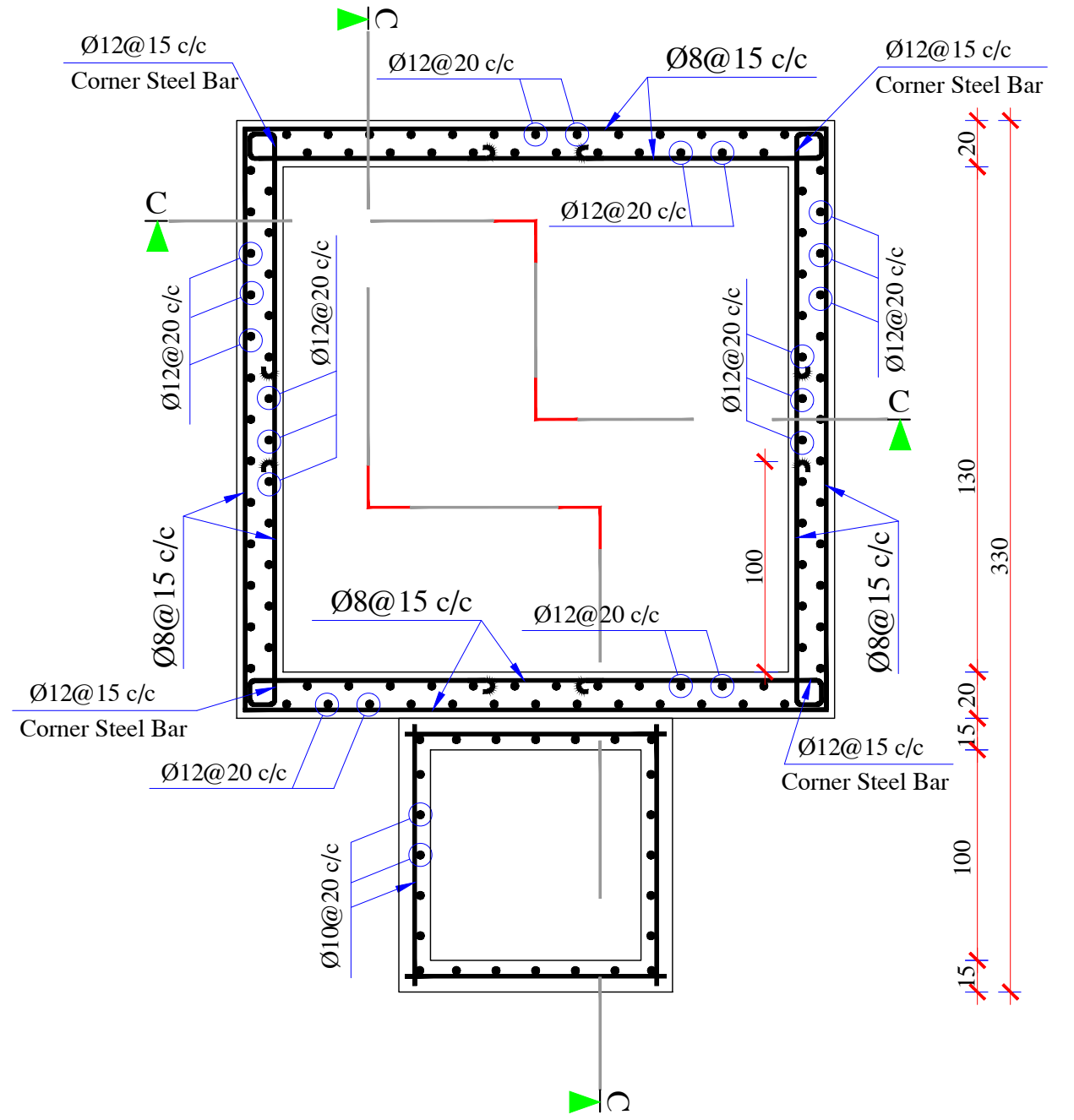
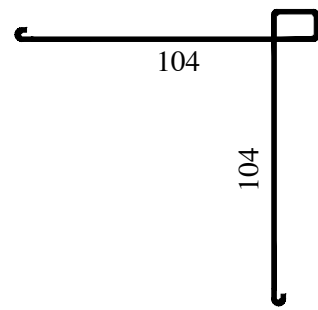
Sheet No.

15/19

PROVINCE	HERAT	SCALE	1:1	PROJECT	WASH/CRS/OFDA
DISTRICT	Kushk Rabat Sangi	START DATE	01-Fbruary-2020	PROJECT SUB TITLE	SOLAR POWERED WATER SUPPLY SYSTEM
VILLAGE NAME	GANG EZAT ABAD	END DATE	30-April-2020	DRAWING No.	5 m ³ RCC RESERVIOR SECTIONS
VILLAGE CODE	KRS-14				



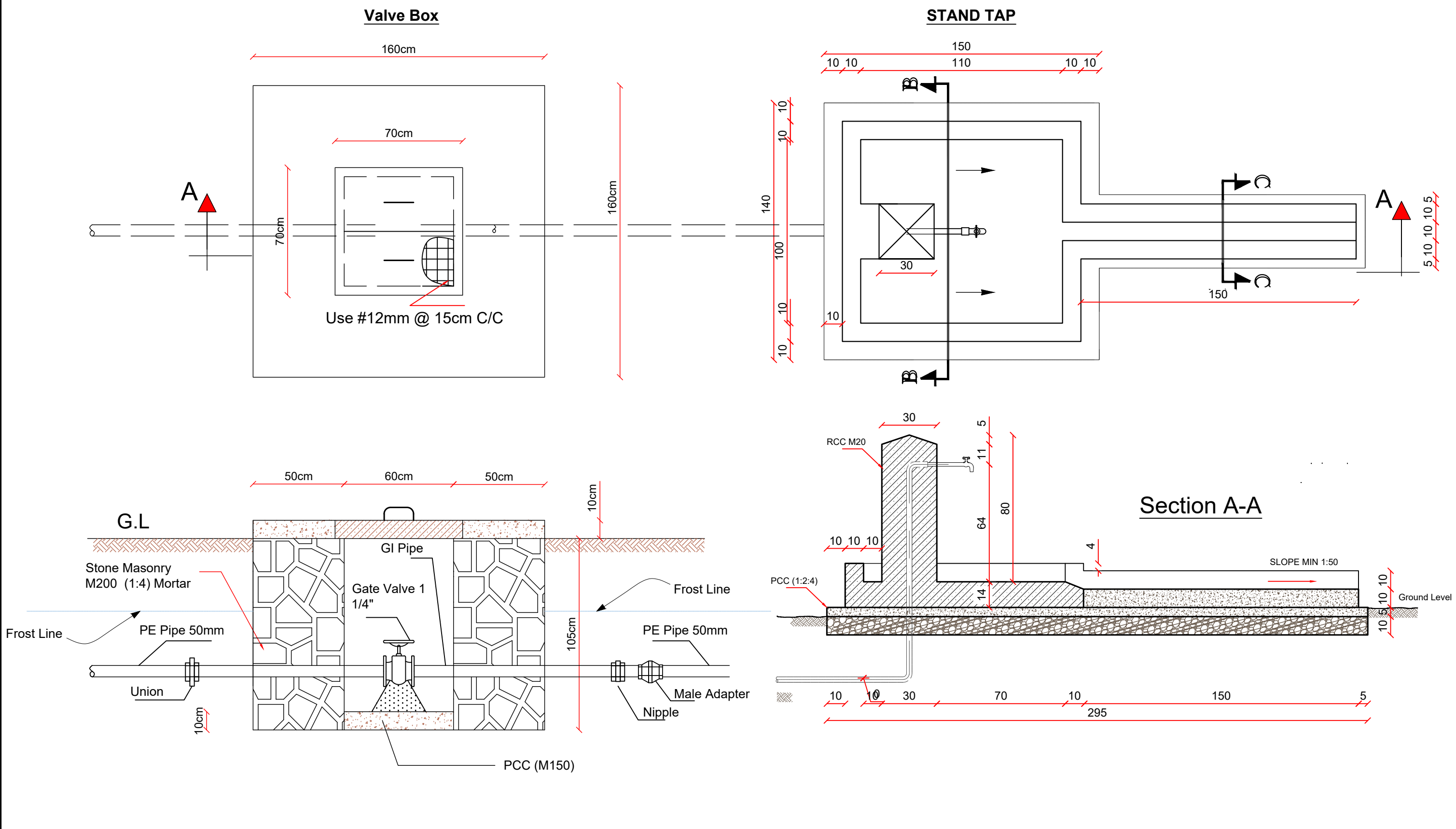
SECTION B-B

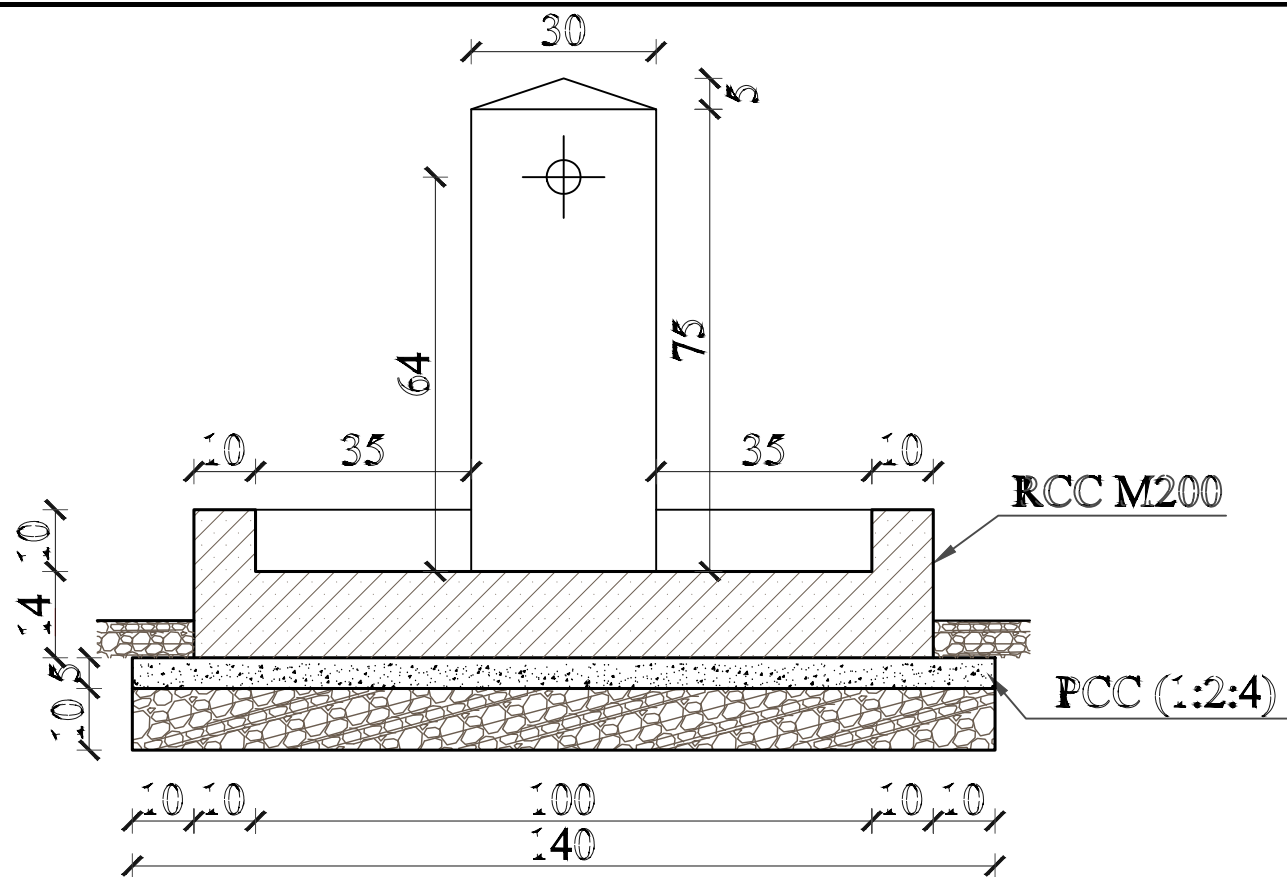


No	TASK AND RESPONSIBLE	DATE	Sheet No. 16/19	PROVINCE	HERAT	SCALE	1:1	PROJECT	WASH/CRS/OFDA
1	SURVEYED BY: M.Fahim Amiry	11-December-2019		DISTRICT	Kushk Rabat Sangi	START DATE	01-Fbruary-2020	PROJECT SUB TITLE	SOLAR POWERED WATER SUPPLY SYSTEM
2	DESIGNED BY: M.Fahim Amiry	25-December-2019		VILLAGE NAME	GANG EZAT ABAD	END DATE	30-April-2020	DRAWING No.	5 m ³ RERSERVIOR STEEL BAR DETAILS
3	REVIEWED BY: HIKMAT ARIFZAI			VILLAGE CODE	KRS-14				
4	APPROVED BY: MARGOT DURIN								

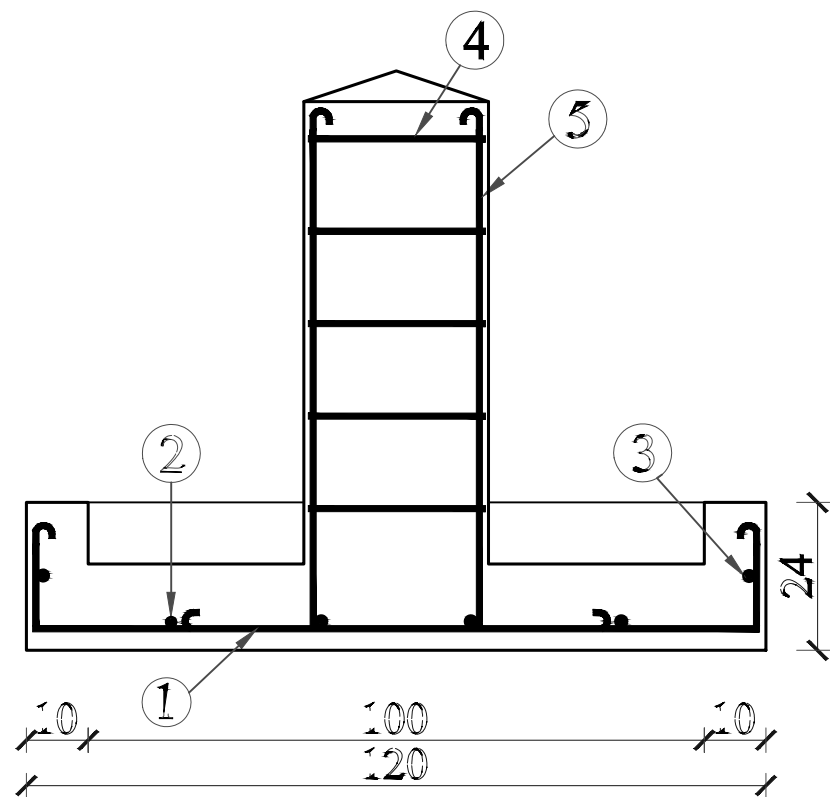
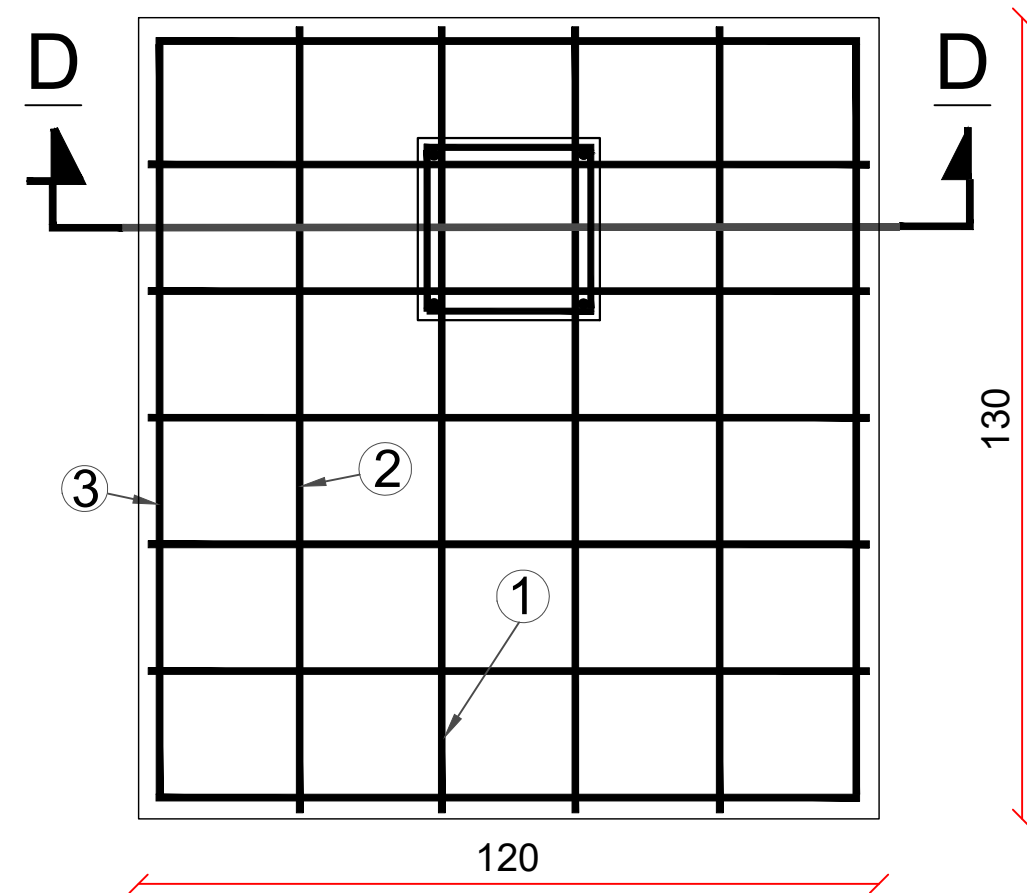


No	TASK AND RESPONSIBLE	DATE	Sheet No. 17/19	PROVINCE	HERAT	SCALE	1:1	PROJECT	WASH/CRS/OFDA
1	SURVEYED BY: M.Fahim Amiry	11-December-2019		DISTRICT	Kushk Rabat Sangi	START DATE	01-Fbruary-2020	PROJECT SUB TITLE	SOLAR POWERED WATER SUPPLY SYSTEM
2	DESIGNED BY: M.Fahim Amiry	25-December-2019		VILLAGE NAME	GANG EZAT ABAD	END DATE	30-April-2020	DRAWING No.	STAND TAP PLAN, SECTIONS
3	REVIEWED BY: HIKMAT ARIFZAI			VILLAGE CODE	KRS-14				
4	APPROVED BY: MARGOT DURIN								

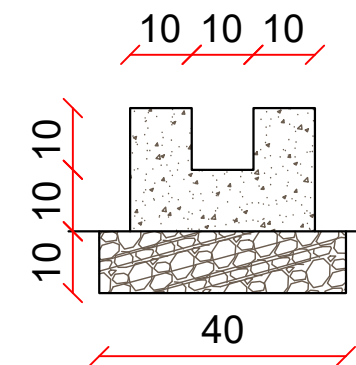
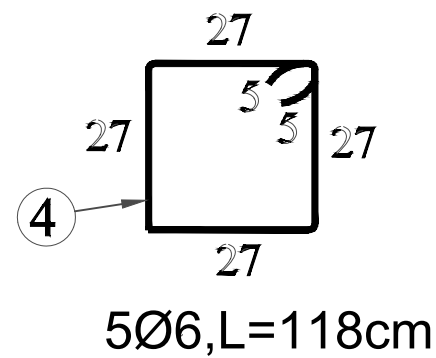
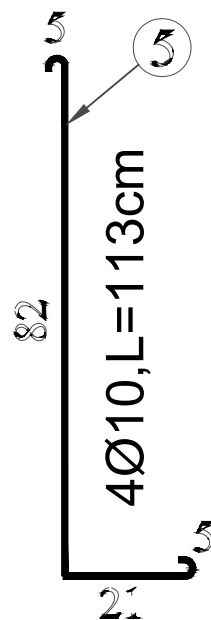




Section B-B



Section D-D



Section C-C

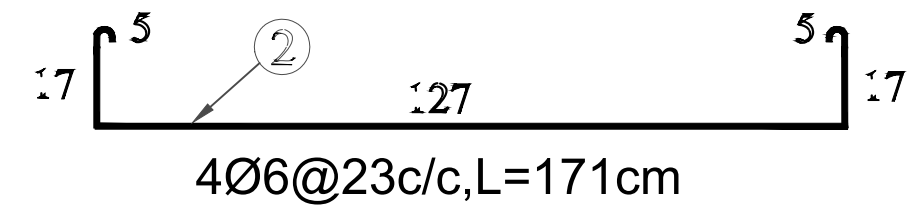
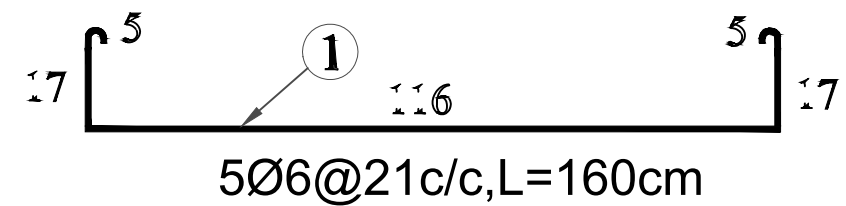
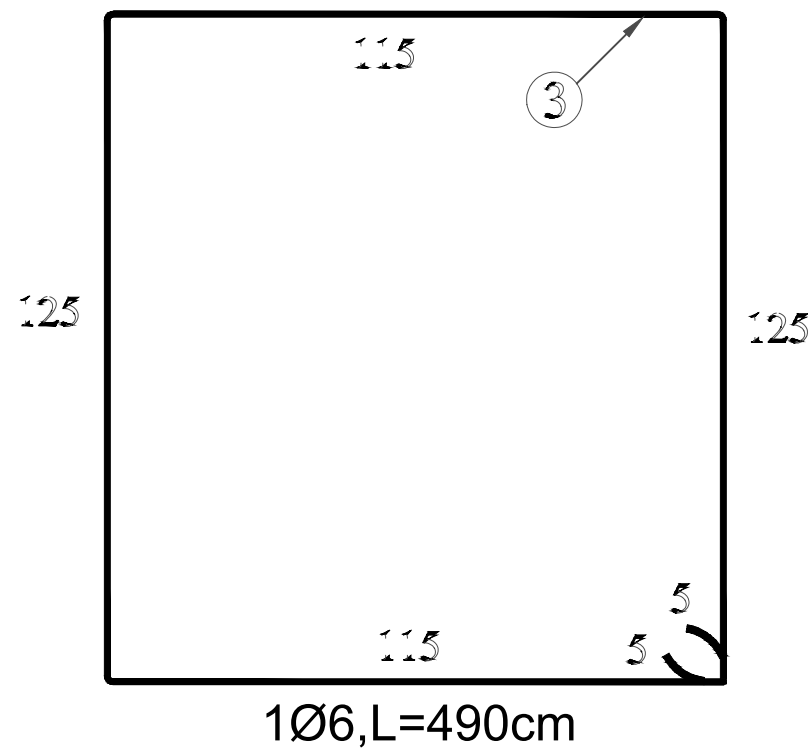
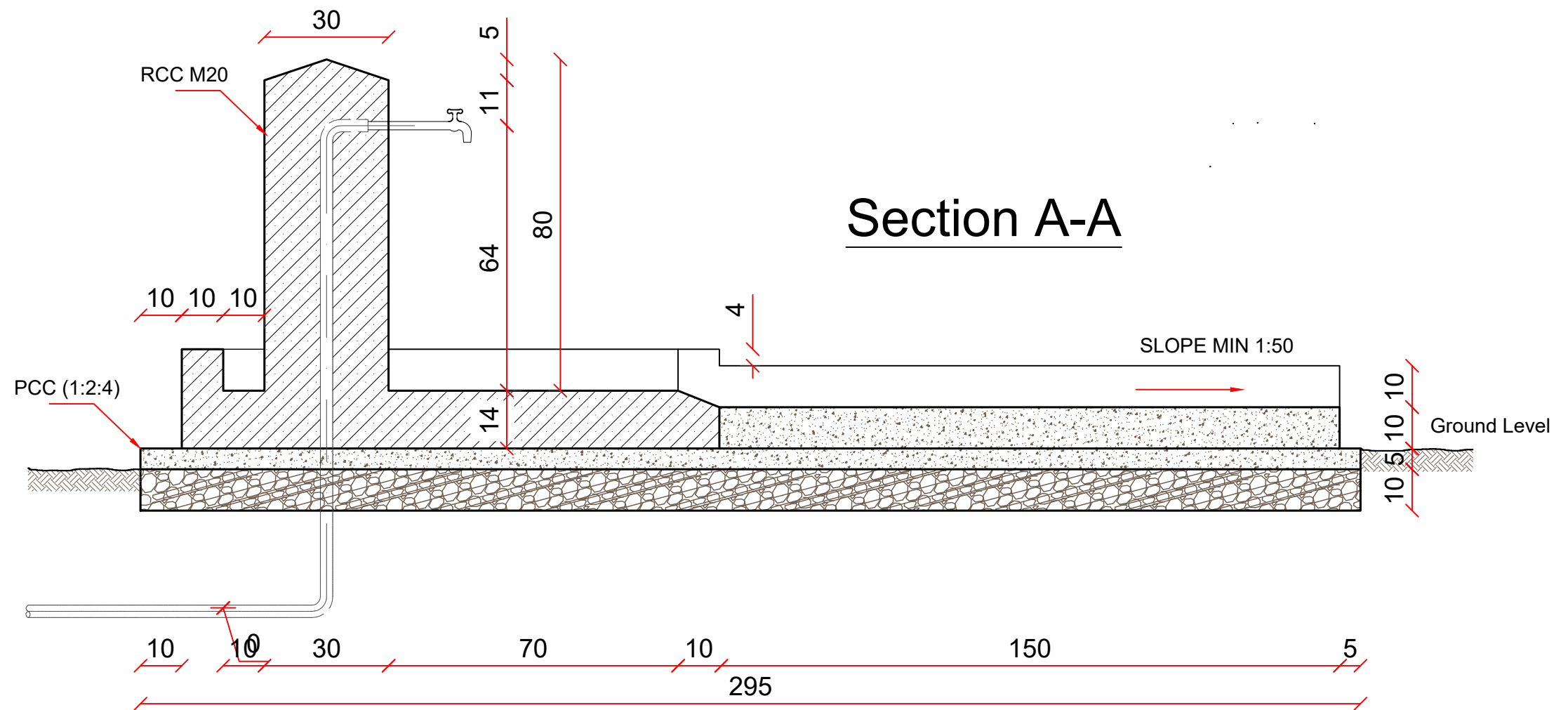


No	TASK AND RESPONSIBLE	DATE
1	SURVEYED BY: M.Fahim Amiry	11-December-2019
2	DESIGNED BY: M.Fahim Amiry	25-December-2019
3	REVIEWED BY: HIKMAT ARIFZAI	
4	APPROVED BY: MARGOT DURIN	

Sheet No.

18/19

PROVINCE	HERAT	SCALE	1:1	PROJECT	WASH/CRS/OFDA
DISTRICT	Kushk Rabat Sangi	START DATE	01-February-2020	PROJECT SUB TITLE	SOLAR POWERED WATER SUPPLY SYSTEM
VILLAGE NAME	GANG EZAT ABAD	END DATE	30-April-2020	DRAWING No.	STAND TAP RCC DETAIL
VILLAGE CODE	KRS-14				



No	TASK AND RESPONSIBLE	DATE
1	SURVEYED BY: M.Fahim Amiry	11-December-2019
2	DESIGNED BY: M.Fahim Amiry	25-December-2019
3	REVIEWED BY: HIKMAT ARIFZAI	
4	APPROVED BY: MARGOT DURIN	

Sheet No.

19/19

PROVINCE	HERAT	SCALE	1:1	PROJECT	WASH/CRS/OFDA
DISTRICT	Kushk Rabat Sangi	START DATE	01-February-2020	PROJECT SUB TITLE	SOLAR POWERED WATER SUPPLY SYSTEM
VILLAGE NAME	GANG EZAT ABAD	END DATE	30-April-2020	DRAWING No.	STAND TAP RCC DETAIL
VILLAGE CODE	KRS-14				